


NEW

SUCTION CUP
SUCTION CUP

— SINGLE-LAYER SUCTION CUP / THREE-LAYER SUCTION CUP —

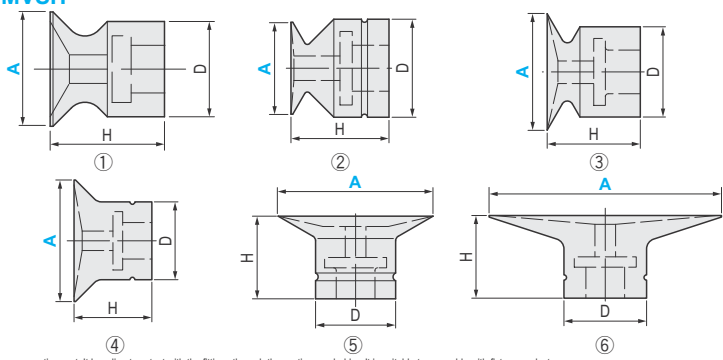


Single-layer Suction Cup




Material	Hardness	Operating temp. range (°C)	Color
Reinforced silicon	40-50A	0-80	Red

4PACK—MVSH



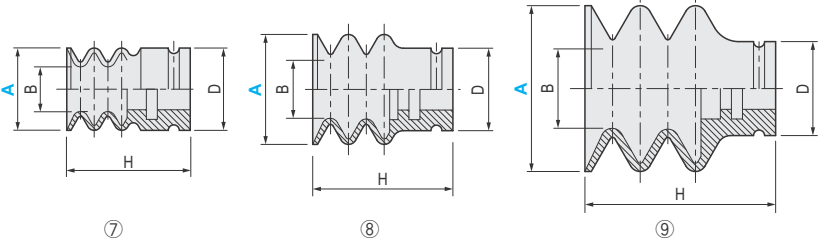
ⓘ This product is a vacuum suction part. It has direct contact with the fittings through the suction cup holder. It is suitable to assemble with fixture products.

Three-layer Suction Cup



Material	Hardness	Operating temp. range (°C)	Color
Reinforced silicon	40-50A	0-80	Red


4PACK—MVSH




ⓘ This product is a vacuum suction part. It has direct contact with the fittings through the suction cup holder. It is suitable to assemble with fixture products.


REMOVAL RELATED PRODUCTS

Part Number	A	No.	B	D	H	Drawing No.
4PACK—MVSH	12	1	—	10	12	①
	15	1	—	16	16	②
	15	3	8	15	22.5	⑦
	20	1	—	15.5	16	③
	20	3	11	15	25.5	⑧
	25	1	—	16	16	④
	30	1	—	15.5	16	⑤
	30	3	15	17	34.5	⑨
	45	1	—	16	16	⑥

 **Order**

Part Number	—	A	—	No.
4PACK—MVSH	—	12	—	1

 **Days to Ship** **Quotation**

 **Price** **Quotation**