


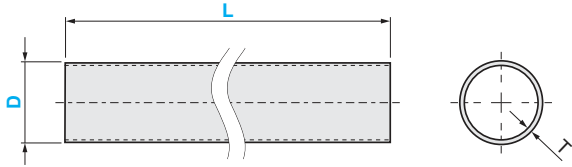
**NEW**

STEEL TUBE / STEEL TUBE COVER

**STEEL TUBE / STEEL TUBE COVER**



**Steel Tube** **4PACK—MPST**

M Material	S Surface treatment
SUS304 Steel	—

ⓘ This product is the body parts of Grip side fixtures, which is used for design and installation of steel tube. Note that It may not be compatible to assemble with other products.

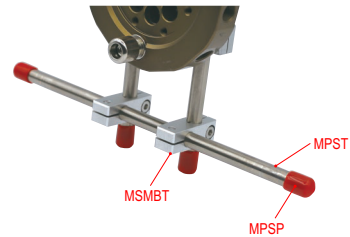
Part Number		L	T	Weight (g)	Applicable cover
Type	D				
<b>4PACK—MPST</b>	8	<b>1500</b>	0.6	215	MPSP8
	12		0.6	339	MPSP12
	20		0.8	560	MPSP20

**Order**    **Part Number** — **L**  
**4PACK—MPST8** — **1500**


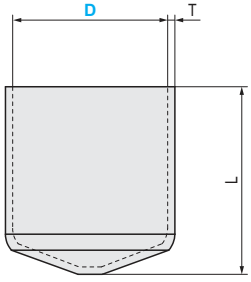
**Days to Ship**    **Quotation**

**Price**    **Quotation**

**EX** Example



**Cover** **50PACK—MPSP**

M Material	S Surface treatment
PVC	—

ⓘ This product is used together with the steel tube featured in this catalog.

Part Number		L	T	Color	Applicable steel tube
Type	D				
<b>50PACK—MPSP</b>	8	<b>15</b>	1.1	Red	MPST8—1500
	12		1.3	Black	MPST12—1500
	20		1.5	Black	MPST20—1500

**Order**    **Part Number**  
**50PACK—MPSP8**

**Days to Ship**    **Quotation**

**Price**    **Quotation**

**Example**

