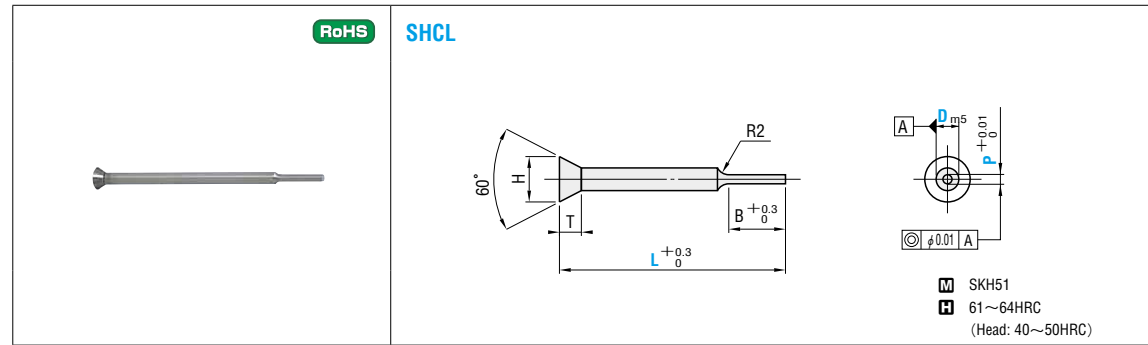


MINI PUNCHES

MINI STRAIGHT PUNCHES



B	T	H	Catalog No.		L	0.01mm increments min. P max.	Base unit price 1~9 pieces
			Type	D			
4	1.1	2.9	SHCL	1.6	(25)	0.30~1.59	Quotation
6	1.4	3.6		2.0	30	0.50~1.99	
8	1.8	4.5		2.5	35 40 50	1.00~2.49	

⚠ L(25)→B=4 If full length is (25), tip length is 4mm in all cases.

Order **Catalog No.** — **L** — **P**
SHCL 2.0 — 30 — P0.88

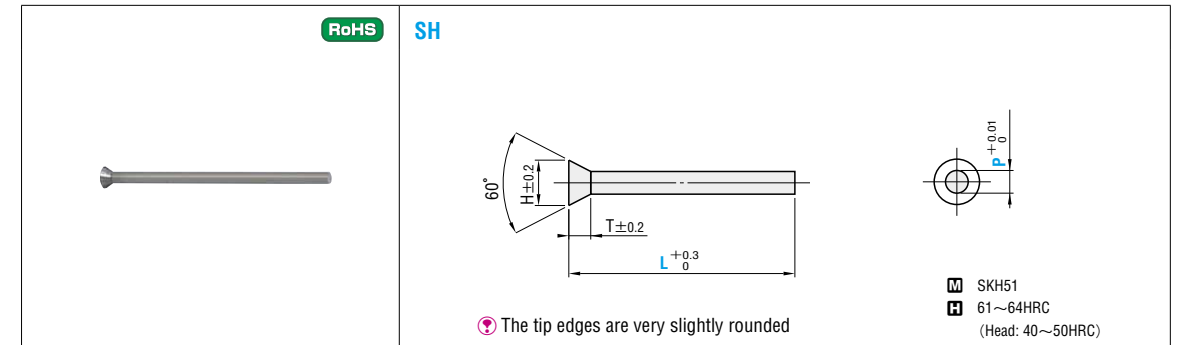
Days to Ship **Quotation**

Price **Quotation**

Alterations **Catalog No.** — **L(LC)** — **P(PC)** — (BC·GC·LKC, etc.)
SHCL 2.0 — LC28 — P0.88

Alteration	Code	Spec.	1Code
	PC	Tip diameter change D2.0: PC≥0.30 D2.5: PC≥0.50 0.01mm increments ⚠ Tip length is 4mm in all cases. ⚠ Cannot be used for D1.6.	Quotation
	BC	Tip length change 2≤BC<B 0.1 mm increments	
	PRC	Rounding of tip side edge 0.3≤PRC≤1 0.1 mm increments ⚠ PRC≤(P-0.2)/2 ⚠ Cannot be combined with PCC·GC.	
	PCC	Chamfering to tip side edge 0.3≤PCC≤1 0.1 mm increments ⚠ PCC≤(P-0.2)/2 ⚠ Cannot be combined with PRC·GC.	
	GC	Conical tip 20°≤GC<90° 1° increments ⚠ Cannot be combined with PRC·PCC·LKC. Tip length B≥f+2	

Alteration	Code	Spec.	1Code
	LC	Full length change 25<LC<50 0.1mm increments (If combined with LKC, 0.01 mm increments can be selected.) ⚠ If LC<30, tip length B is 4mm in all cases.	Quotation
	LKC	Full length tolerance change $L^{+0.3}_{0} \rightarrow ^{+0.05}_{0}$ ⚠ Cannot be combined with GC.	



T	H	Catalog No.		L	Base unit price 1~9 pieces
		Type	P		
0.7	1.8	SH	1.0	25	Quotation
0.8	2.0		1.1		
0.8	2.1		1.2		
0.9	2.3		1.3		
1.0	2.6		1.4		
1.1	2.8		1.5		
1.1	2.9		1.6		
1.2	3.1		1.7		
1.3	3.3		1.8		
1.3	3.4		1.9		
1.4	3.6		2.0		
1.5	3.8		2.1		
1.5	3.9		2.2		
1.6	4.1		2.3		
1.7	4.4		2.4		
1.8	4.5		2.5		
1.8	4.7		2.6		
1.9	4.9		2.7		
2.0	5.1		2.8		
2.0	5.2		2.9		
2.1	5.4		3.0		

Order **Catalog No.** — **L**
SH 1.5 — 40

Days to Ship **Quotation**

Price **Quotation**

Alterations **Catalog No.** — **L(LC)** — **(LKC)**
SH 1.5 — LC38 — LKC

Alteration	Code	Spec.	1Code
	LC	Full length change 25<LC<50 0.1 mm increments (If combined with LKC, 0.01mm increments can be selected.)	Quotation
	LKC	Full length tolerance change $L^{+0.3}_{0} \rightarrow ^{+0.05}_{0}$	