


BUTTON DIES, CONFIGURABLE SIZE

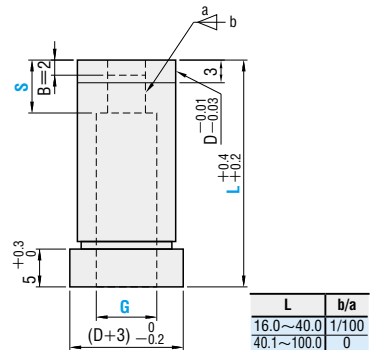
—CONFIGURABLE FULL LENGTH, HOLE DEPTH, AND RELIEF HOLE TYPE—

—Headed type—




RoHS

M	H	D dimension	Catalog No.
Equivalent to SKD11 60~63HRC	D6~56	A	FMHD
		D	FHDD
	D8~56	R	FHDR
		E	FHDE
		G	FHDG
	D10~56	A	FMHDS
D		FHDDS	
R		FHDRS	
	E	FHDES	
	G	FHDGS	



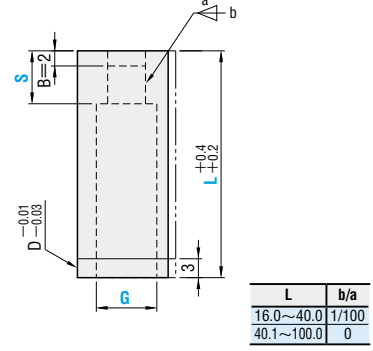
L	b/a
16.0~40.0	1/100
40.1~100.0	0

—Straight type—



RoHS

M	H	D dimension	Catalog No.
Equivalent to SKD11 60~63HRC	D6~56	A	FMSD
		D	FSDD
	D8~56	R	FSDR
		E	FSDE
		G	FSDG
	D10~56	A	FMSDS
D		FSDDS	
R		FSDRS	
	E	FSDES	
	G	FSDGS	



L	b/a
16.0~40.0	1/100
40.1~100.0	0

D tolerance			Catalog No.		L		0.01mm increments					1mm increments	G		
D	m5	n5	Type	D	0.1mm increments	A	D	R	E	G	R	S	L	G	
						min. P max.	P·Kmax.	P·Wmin.					L	G	
6	+0.009	+0.013	Headed type (Dm5) Straight type (Dns)	6	16.0~40.0	0.50~3.20						3~4	3.0~3.6	0.2mm increments	
8	+0.012	+0.016		8		0.50~4.40	4.40	1.00					3~6		3.0~4.8
10	+0.006	+0.010		10		1.00~6.40	6.40	1.00							3.0~6.8
13	+0.015	+0.020		13		1.50~8.50	8.50	1.00							3.0~9.0
16	+0.007	+0.012		16		2.50~10.50	10.50	1.00							3.0~11.0
20	+0.017	+0.024		20		3.50~12.50	12.50	1.50							4.0~13.0
25	+0.008	+0.015	25	5.00~16.50	16.50	1.50						5.5~17.0	0.5mm increments		
32			32	7.50~21.00	21.00	2.00						8.0~21.5			
38	+0.020	+0.028	38	9.50~27.00	27.00	2.50						9.5~27.5			
45	+0.009	+0.017	45	12.50~36.00	36.00	3.00						13.0~36.5			
50			50	16.50~41.00	41.00	3.50						17.0~41.5			
56	+0.024	+0.033	56	19.00~46.00	46.00	4.00						19.5~46.5			
10	+0.012	+0.016	Headed type (Dm5) Straight type (Dns)	10	40.1~80.0 (40.01)	1.00~6.00	6.00	1.00					3~10	5.0~9.0	0.5mm increments
13	+0.015	+0.020		13		1.50~8.50	8.50	1.00						5.0~11.0	
16	+0.007	+0.012		16		2.50~10.50	10.50	1.00						5.0~13.0	
20	+0.017	+0.024		20		3.50~12.50	12.50	1.50						6.0~17.0	
25	+0.008	+0.015		25		5.00~16.50	16.50	1.50						9.0~21.5	
32				32		7.50~21.00	21.00	2.00						11.0~27.5	
38	+0.020	+0.028	38	9.50~27.00	27.00	2.50						14.0~36.5	0.5mm increments		
45	+0.009	+0.017	45	12.50~36.00	36.00	3.00						18.0~41.5			
50			50	16.50~41.00	41.00	3.50						20.0~46.5			
56	+0.024	+0.033	56	19.00~46.00	46.00	4.00									

Ⓜ D(6) is a specification available for shape Ⓐ (round) only. It is not available for shapes Ⓓ Ⓔ Ⓕ Ⓖ. Ⓜ L(40.01)→When LKC-LK2 is selected, select an L dimension of 40.01 or larger. Ⓜ P=1.00~1.99→Smax=4 If P is 1.00~1.99, the maximum S is 4 mm.

Order	Catalog No.	L	P	W	R (R only)	S	G
	FMHD 10	35.1	P5.00			S6	G5.4
	FSDRS 20	65.5	P10.00	W8.00	R2.25	S10	G12.5

Days to Ship **Quotation** Price **Quotation**

Alterations

Catalog No. — L — P — W — R — S — G — (BC·HC·TC, etc.)

FMHD 10 — 35.1 — P5.00 — — — S6 — G5.4 — TC4-KC

Alteration	Code	A		D R E G		1Code
		Alteration	Code	Alteration	Code	
Alterations to shaped hole	BC	Shaped hole depth change 1 ≤ BC ≤ S 0.1mm increments Ⓜ Cannot be used for L > 40. Ⓜ Cannot be used for P < 1.00.				
	PKC	Shaped hole diameter tolerance change P + 0.01 → +0.005 0 → 0 Ⓜ Cannot be used for P < 1.00.	Shaped hole diameter tolerance change P - W ± 0.01 → +0.01 0 → 0			
Full length	LKC	Full length tolerance change L + 0.4 → +0.05 +0.2 → 0	Ⓜ If combined with LKC, L dimension can be selected in 0.01mm increments.			Quotation
	LKZ	Full length tolerance change L + 0.4 → +0.01 +0.2 → 0	Ⓜ If combined with LKZ, L dimension can be selected in 0.01mm increments. Ⓜ Cannot be used for D > 25.			
Alterations to head	KC	Addition of single key flat to head 180° 0° change 1° increments	Key flat position 180° 0° change 1° increments			Quotation
		Addition of single key flat Ⓜ Cannot be used for D6.	Key flat position 180° 0° change 1° increments			
	WKC	Addition of double key flats in parallel Ⓜ Can be combined with KC for shapes D R E G. Ⓜ Cannot be used for D6 straight type.				
	KFC	Double key flats at 0° and a selected angle 1° increments Ⓜ Cannot be combined with KC-WKC. Ⓜ Cannot be used for L(LD) < 16 or D > 25. Ⓜ Cannot be used for straight types.	Double key flats at 0° and a selected angle 1° increments Ⓜ Cannot be combined with KC-WKC. Ⓜ Cannot be used for L(LD) < 16 or D > 25. Ⓜ Cannot be used for straight types.			

BUTTON DIES