

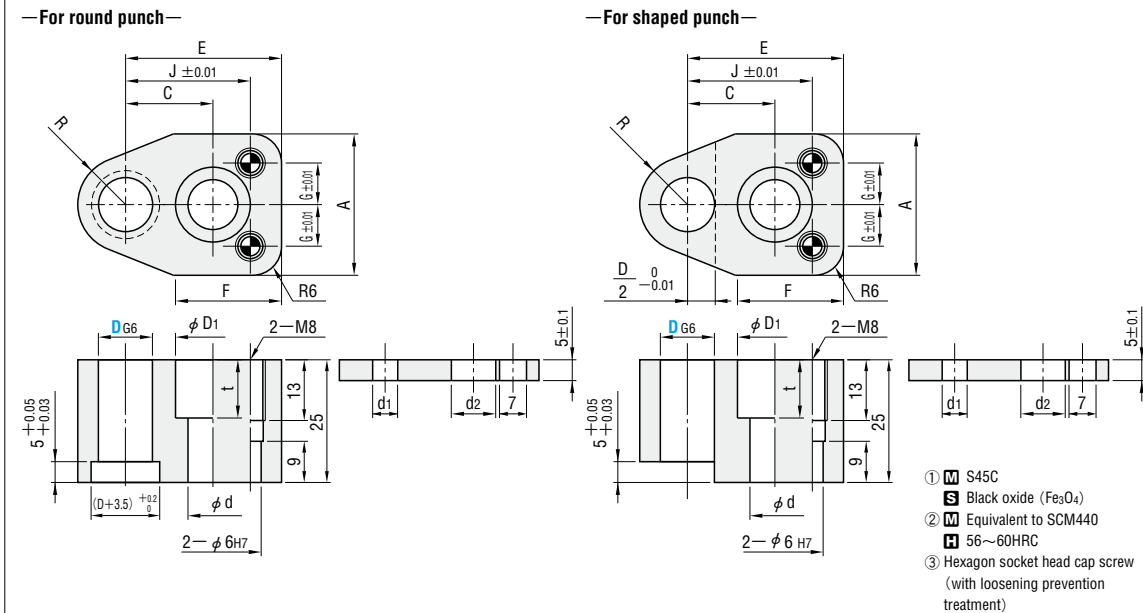
END RETAINER SETS FOR NC MACHINING 25 MM THICK TYPE

—SPACE-SAVING, SINGLE BOLT TYPE FOR PUNCHES WITH LOCATING DOWEL HOLES—

END RETAINER SETS FOR EDGE-MATCHING MACHINING 25 MM THICK TYPE

—SPACE-SAVING, SINGLE BOLT TYPE FOR PUNCHES WITH LOCATING DOWEL HOLES—

For round punch					For shaped punch								
Catalog No.	Retainer No.	Components					Catalog No.	Retainer No.	Components				
SP-APS	SA1	○	○	○	○	○	SP-FPS	SF1	○	○	○	○	○
SPARS	SA2	○	○	○	○	○	SPFRS	SF2	○	○	○	○	○
BPST	—	○	○	○	○	○	BPST	—	○	○	○	○	○
SP-ASN	SA3	○	○	○	○	○	SP-FSN	SF3	○	○	○	○	○



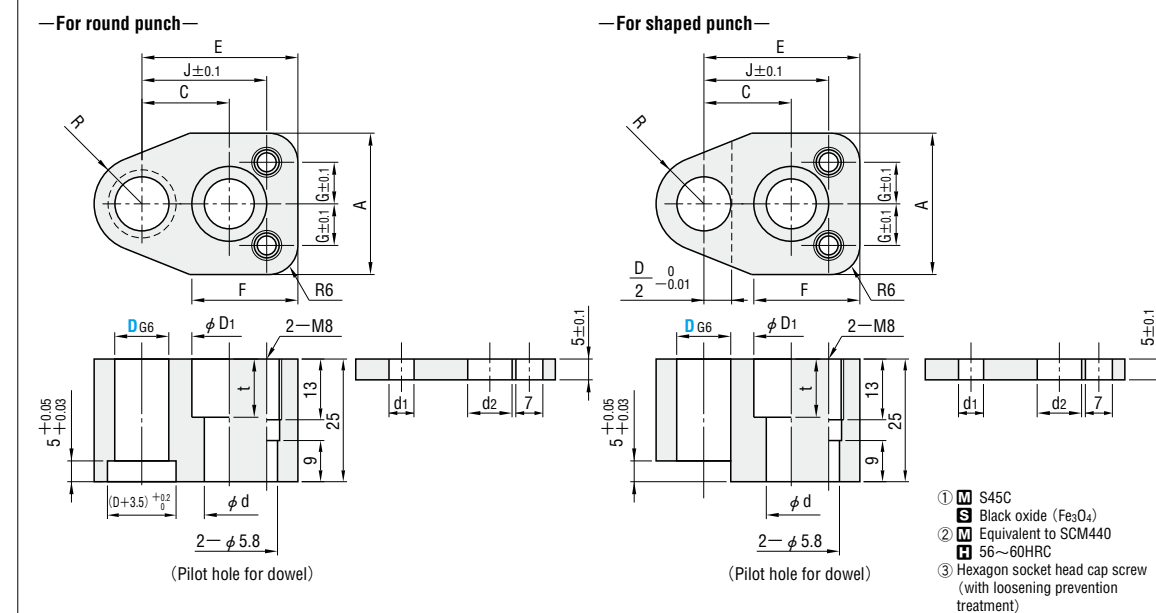
Catalog No.		D	D _{G6}	A	C	E	F	G	J	R	D ₁	d	t	d ₂	d ₁	A ③④⑤
Type																
—For round punch—	—For shaped punch—	10	+0.014 +0.005	34	22	38	26	12	31.5	11.5	19	13	13	14	6.2	③ M12—35 ④ MSTM6—30 ⑤ MSW8
SP-APS (①②③④⑤)	SP-FPS (①②③④⑤)	13	+0.017 +0.006	36	26	45	33									

Order **Catalog No.**
SP-APS 13

Days to Ship **Quotation**

Price **Quotation**

For round punch					For shaped punch								
Catalog No.	Retainer No.	Components					Catalog No.	Retainer No.	Components				
TP-APS	TA1	○	○	○	○	○	TP-FPS	TF1	○	○	○	○	○
TPARS	TA2	○	○	○	○	○	TPFRS	TF2	○	○	○	○	○
BPST	—	○	○	○	○	○	BPST	—	○	○	○	○	○
TP-ASN	TA3	○	○	○	○	○	TP-FSN	TF3	○	○	○	○	○



Catalog No.		D	D _{G6}	A	C	E	F	G	J	R	D ₁	d	t	d ₂	d ₁	A ③④⑤
Type																
—For round punch—	—For shaped punch—	10	+0.014 +0.005	34	22	38	26	12	31.5	11.5	19	13	13	14	6.2	③ M12—35 ④ MSTM6—30 ⑤ MSW8
TP-APS (①②③④⑤)	TP-FPS (①②③④⑤)	13	+0.017 +0.006	36	26	45	33									

Order **Catalog No.**
TPARS 16

Days to Ship **Quotation**

Price **Quotation**

RETAINERS