

SELECT RETAINER SETS

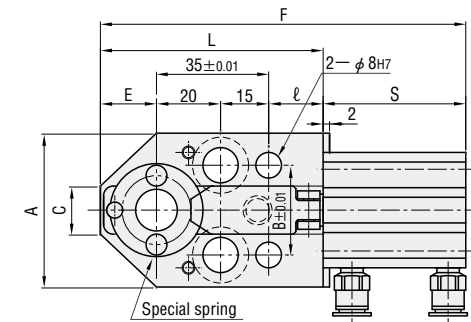
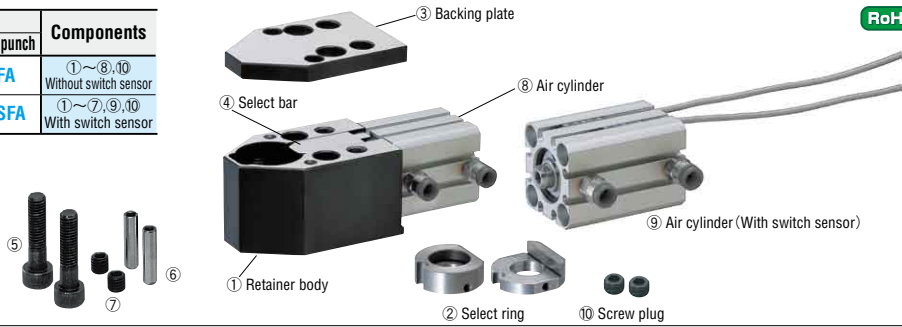
—COMPACT AIR TYPE—

ST=8mm

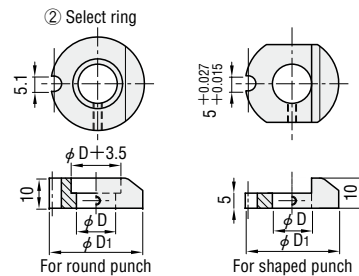
PATENTED

Check the precautions on P.749 and information concerning assembly of the select ring and punch on P.750.

Catalog No.		Components	
For round punch	For shaped punch	①~⑧,⑩	Without switch sensor
SLC-EA	SLC-FA	①~⑧,⑩	Without switch sensor
SLC-SEA	SLC-SFA	①~⑧,⑨,⑩	With switch sensor



- ① M Equivalent to SCM420
 - ② 55~58HRC (Depth 1mm)
 - ③ Black oxide (Fe₃O₄)
 - ④ SK4
 - ⑤ 56~60HRC
 - ⑧ Air cylinder specification
 - ⑨ Air cylinder specification
 - ⑩ 2-wire type contact switch
- Operation method Double-action
 Pressure used 0.4~1.0MPa (4.1~10.2kgf/cm²)
 Cylinder inner dia. φ20
 Voltage used DC24V
 AC100V
 Lead wire length 3m



Catalog No.	Type	D	A	B	C	E	L	ℓ	D ₁	Without sensor		With sensor		A	Base unit price 1~9 sets			
										S	F	S	F		SLC-EA	SLC-FA	SLC-SEA	SLC-SFA
—Type without switch sensor— For round punch SLC-EA For shaped punch SLC-FA	10	44	24	12	17	67	15	25	44.5	111.5	54.5	121.5	⑤CB10-55					
	13	48	28	15	17.5	69.5	17	28	44.5	114	54.5	124	⑥MSTM8-40					
—Type with switch sensor— For round punch SLC-SEA For shaped punch SLC-SFA	16	50	30	20	20	78	23	31	49.5	127.5	59.5	137.5	⑦MSW10					
	20	50	30	20	22	87	30	35	54.5	141.5	64.5	151.5	⑩MSW3					

Quotation

Order Catalog No. SLC-EA10

Days to Ship Quotation

Price Quotation

- Features
- Compact: Projection area is approximately 20% less than the SLS series.
 - Heavy duty: The body is carburized to 55~58 HRC, eliminating the risk of seizure or uneven wear.
 - High rigidity: Because the body contains few openings, there is no concern of malfunctions resulting from deformation.

- Precautions
- Although the installation pitch is the same as for the SLS series, the thickness of the backing plate is different. Therefore pay attention when selecting the punch length.
 - Use a punch with head thickness $5^{+0.03}_{-0.01}$.
- For details, refer to the list of features on P.749.

Alterations Catalog No. (JLC·JNC·TLC·BPC) SLC-EA10 - JLC

Alteration	Code	Spec.	1Code
	JLC	The provided one-touch pipe coupling is changed to an L-shape (elbow) type.	
	JNC	No pipe coupling Air cylinder tap (M5×0.8)	
	TLC	Coupling position change (cylinder direction change)	
		Standard position	TLC90
		TLC180	TLC270
	BPC	A ball plunger is installed on the select bar, and a recession is machined in the backing plate.	

Quotation

SELECT RETAINER SETS

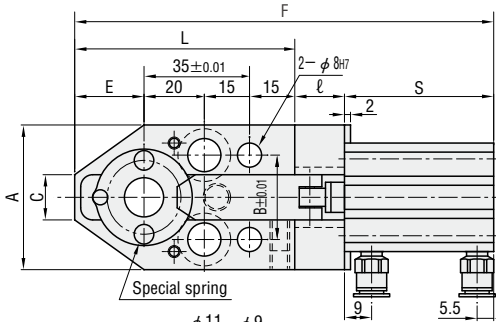
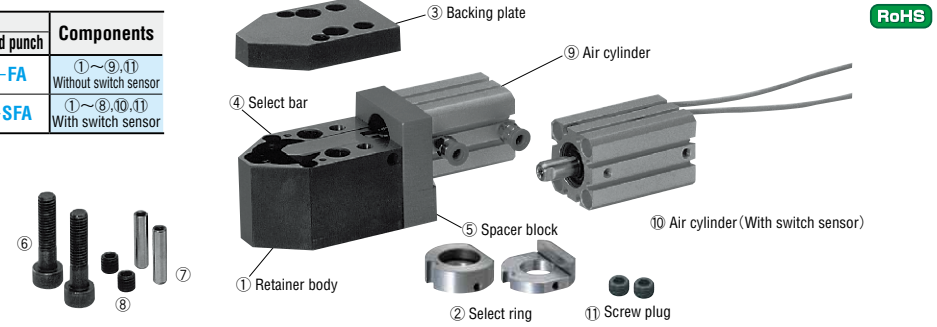
—STANDARD AIR TYPE—

ST=10mm

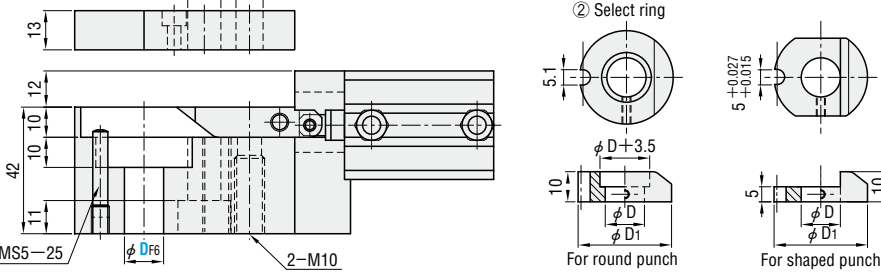
PATENTED

Check the precautions on P.749 and information concerning assembly of the select ring and punch on P.750.

Catalog No.		Components	
For round punch	For shaped punch	①~⑨,⑪	Without switch sensor
SLS-EA	SLS-FA	①~⑨,⑪	Without switch sensor
SLS-SEA	SLS-SFA	①~⑧,⑩,⑪	With switch sensor



- ① M Equivalent to SCM420
 - ② 55~58HRC (Depth 1mm)
 - ③ Black oxide (Fe₃O₄)
 - ④ SK4
 - ⑤ 56~60HRC
 - ⑥ S45C
 - ⑧ Air cylinder specification
 - ⑨ Air cylinder specification
 - ⑩ 2-wire type contact switch
 - ⑪ 2-wire type contact switch
- Operating method Double-action
 Pressure used 0.4~1.0MPa (4.1~10.2kgf/cm²)
 Cylinder inner dia. φ20
 Voltage used DC24V
 AC100V
 Lead wire length 3m



Catalog No.	Type	D	A	B	C	E	L	ℓ	D ₁	Without sensor		With sensor		A	Base unit price 1~9 sets			
										S	F	S	F		SLS-EA	SLS-FA	SLS-SEA	SLS-SFA
—Type without switch sensor— For round punch SLS-EA For shaped punch SLS-FA	10	44	24	12	20	70	13.5	25	49.5	133	59.5	143	⑥CB10-60					
	13	48	28	15	23	73	16.5	31	54.5	139	64.5	149	⑦MSTM8-45					
—Type with switch sensor— For round punch SLS-SEA For shaped punch SLS-SFA	16	50	30	20	25	75	21.5	35	54.5	149	64.5	159	⑧MSW10					
	20	50	30	20	25	75	28.5	35	59.5	163	69.5	173	⑩MSW3					
	25	58	38	25	27	77	31.5	40	59.5	168	69.5	178						
	32	68	48	32	31	81	44.5	47	69.5	195	79.5	205						

Quotation

Order Catalog No. SLS-EA 10

Days to Ship Quotation

Price Quotation

- Features
- Stroke: 10mm
 - Heavy duty: The body is carburized to 55~58 HRC, eliminating the risk of seizure or uneven wear.
 - High rigidity: Because the body contains few openings, there is no risk of malfunctions resulting from deformation.

- Precautions
- Use a punch with head thickness $5^{+0.03}_{-0.01}$.
- For details, refer to the list of features on P.749.

Alterations Catalog No. (JLC·JNC·TLC·BPC) SLS-EA10 - JLC

Alteration	Code	Spec.	1Code
	JLC	The provided one-touch pipe coupling is changed to an L-shape (elbow) type.	
	JNC	No pipe coupling Air cylinder tap (M5×0.8)	
	TLC	Coupling position change (cylinder direction change)	
		Standard position	TLC90
		TLC180	TLC270
	BPC	A ball plunger is installed on the select bar, and a recession is machined in the backing plate.	

Quotation