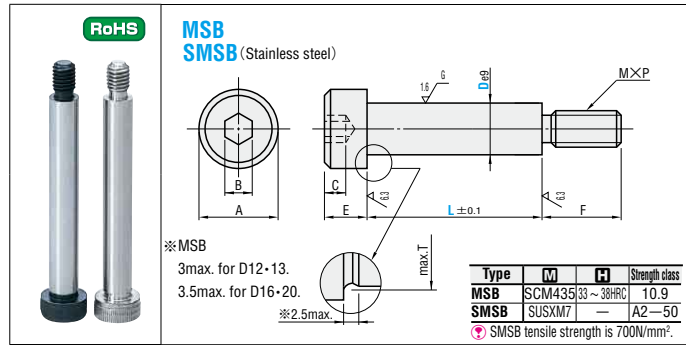


STRIPPER BOLTS, MALE THREADS

STRIPPER BOLTS, MALE THREADS / STROKE EXTENSION RETAINERS FOR STRIPPER BOLTS —PRECISION L DIMENSION TYPE—



De9	A	B	C	E	F	M×P	T
4	6.5			3	5	2.5×0.45	4.5
4.5	7	2.5	1.6	3.5	6	3×0.5	5
5	8						5.5
5.5	9	3	2.2	4	7	4×0.7	6
6			2				6.5
6.5	10	4	2.5	5	9	5×0.8	7
8	13	5	3	6		6×1.0	8.7
10	16	6	4	8	12	8×1.25	10.8
12	17						12.8
13	18	8	5	10	16	10×1.5	14
16	24	10	7	14	18	12×1.75	17
20	27	14	9	18	24	16×2.0	21

⚡ Red figures in the price column indicate new added spec.

Catalog No.	Type	D	L (SMSB is available only for the sizes marked by *.)	Base unit price MSB SMSB 1~49 pieces 1~49 pieces		
MSB	MSB	4	*10 *15 *20 *25 30 35 40	45		
		4.5	*10 *15 *20 *25 *30 *35 *40	45 50		
		5	*10 *15 *20 *25 30 35 40	45 50		
		5.5	*10 *15 *20 *25 *30 *35 *40	45 50 55		
		6	*10 *15 *20 *25 30 35 40	45 50 55 60 65 70		
		6.5	*10 *15 *20 *25 *30 *35 *40	*45 *50 55 60 65 70 75 80		
		8	*10 *15 *20 *25 *30 *35 *40 *45	*50 *55 *60 *65 *70 *75 *80 85 90		
		SMSB	SMSB	10	*15 *20 *25 *30 *35 *40 *45 *50 *55	95 100 110 120
				10	*10 *60 *65 *70 *75	*80 *85 *90 95 100 110 120
				12	15 20 25 30 35 40 45 50 55	60 65 70 75 80 85 90 95 100
				13	15 20 25 30 35 40 45 50 55 60 65 70	75 80 85 90 95 100 110 120 130
				16	15 20 25 30 35 40 45 50 55 60 65 70 75 80 85	90 95 100 110 120 130 140 150
				20	40 50 60 70 80 90 100	110 120 130 140 150

Quotation

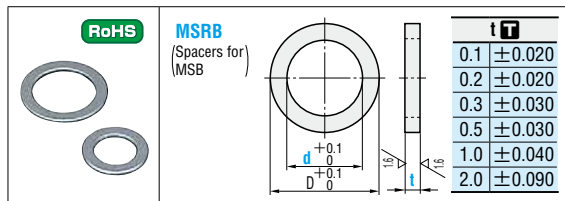
Order Catalog No. — L
MSB 10 — 50

Days to Ship Quotation

Price Quotation

Alterations Catalog No. — L (LC) — (FC) Quotation
MSB 10 — LC50.1 — FC10.5

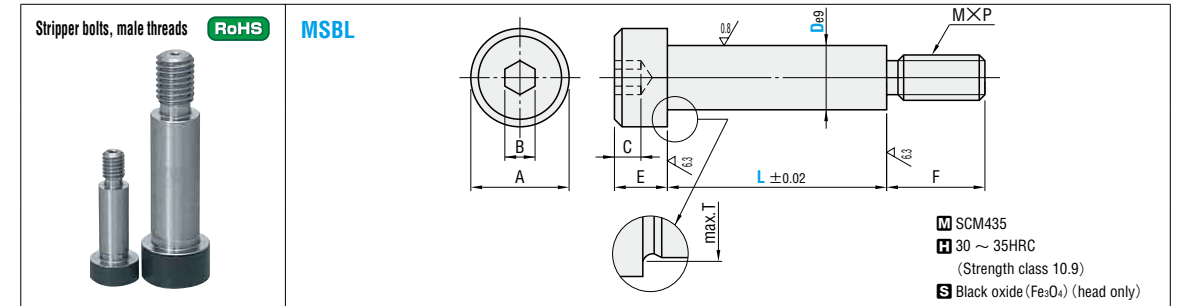
Alteration	Code	Spec.	1Code
	LC	L dimension change (cutting) Full length (LC) tolerance is ±0.05. Lmin. ≤ LC ≤ Lmax. 0.1mm increments ⚡ F dimension is produced using the standard dimension. To change the F dimension, combine with FC.	D 4 ~ 10 D12 ~ 16 D20
	FC	Thread part length change M ≤ FC ≤ M×3 0.5mm increments ⚡ When D=4 only, 3 ≤ FC ≤ 7.5. ⚡ Can be used only when combined with LC.	FC < F FC > F



D	d	Catalog No.	t
6.5	4	*4	
7	4.5	*4.5	
8	5	*5	
9	5.5	*5.5	0.1
9	6	*6	0.2
10	6.5	*6.5	0.3
13	8	*8	0.5
16	10	*10	1.0
17	12	*12	2.0
18	13	*13	
24	16	*16	
27	20	*20	

⚡ t=2.0 is not available for sizes marked with *.

For delivery and prices P.816

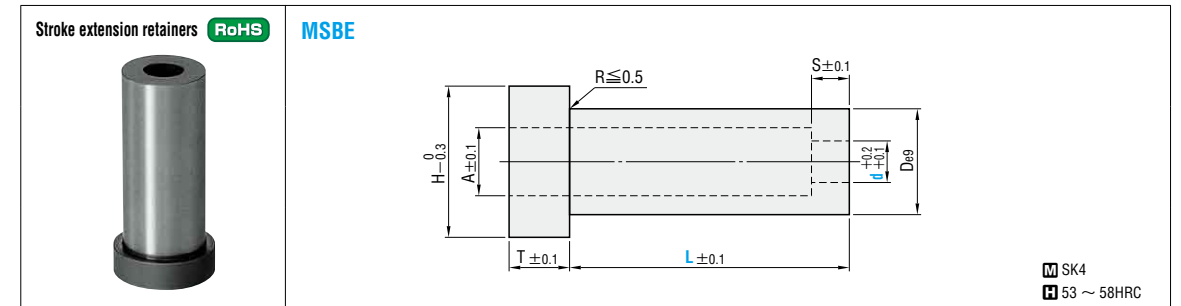


De9	A	B	C	E	F	M×P	T	Catalog No. Type	1mm increments D L	Base unit price 1~19
6.5	10	4	2.5	5	9	M 5×0.8	7	MSBL	6.5 10 ~ 70	Quotation
8	13	5	3	6	9	M 6×1.0	8.7		8 10 ~ 90	
10	16	6	4	8	12	M 8×1.25	10.8		10 10 ~ 120	
13	18	8	5	10	16	M 10×1.5	14		13 10 ~ 130	
16	24	10	7	14	18	M 12×1.75	17		16 15 ~ 150	
20	27	14	9	18	24	M 16×2.0	21		20 15 ~ 150	
25	33	17	11	19	30	M 20×2.5	26		25 30 ~ 160	

⚡ The head is not knurled.

Order Catalog No. — L
MSBL 10 — 53

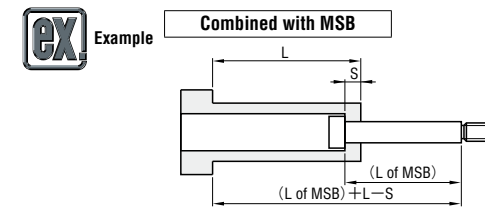
Days to Ship Quotation



Size	Shaft diameter (D)	Head diameter (A)	Head thickness (E)	Thread (M)	H	T	A	S	De9	Catalog No. Type	d	L (Selection)
MSB 8	8	13	6	M 6	25	6	14	8	18	MSBE	8	50 60 70 80 90
MSB10	10	16	8	M 8	27	8	17	10	22		10	
MSB13	13	18	10	M10	30	10	19	13	25		13	
MSB16	16	24	14	M12	37	15	25	16	32		16	

Order Catalog No. — L
MSBE 8 — 50

Days to Ship Quotation



⚡ The use of MSBE allows a long stripper stroke to be set even when the die height is low.

Catalog No. Type	d	Base unit price 1 ~ 9 pieces L50 L60 L70 L80 L90
MSBE	8	Quotation
	10	
	13	
	16	

