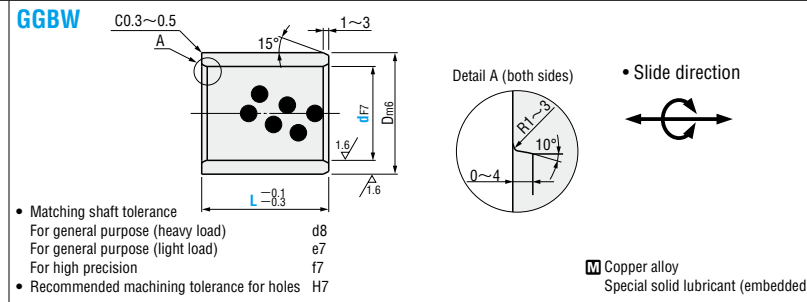


OIL-FREE UNIVERSAL GUIDE BUSHINGS

— STRAIGHT TYPE —



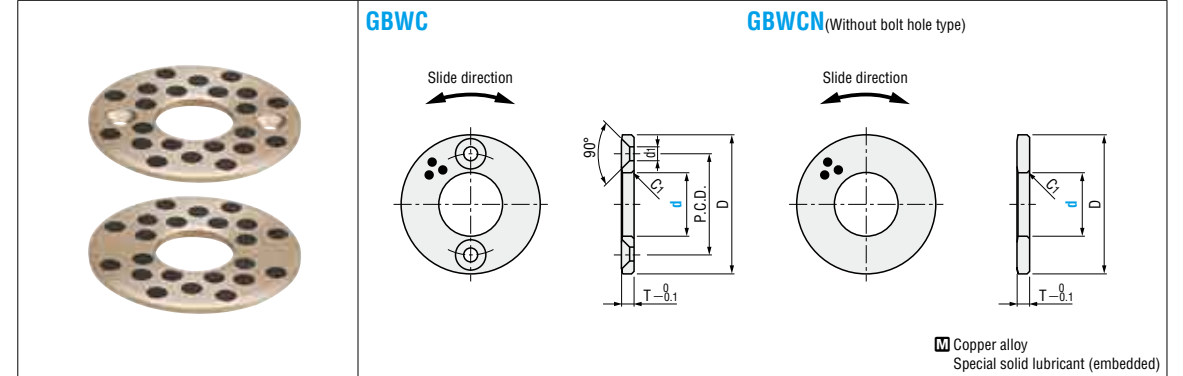
dF7	Dm6	Applicable washers	Catalog No. Type	L
8	12	—	8	8 10 12 15
10	14	+0.018	10	8 10 12 15 20
12	18	+0.007	12	8 10 12 15 16 19 20 25 30
13	19	—	13	10 12 15 16 20
14	20	—	14	10 12 15 20 25 30
15	21	—	15	10 12 15 16 20 25 30
16	22	+0.021	16	10 12 15 16 19 20 25 30 35 40
17	23	+0.008	17	15
18	24	—	18	12 15 16 20 25 30 35 40
19	26	—	19	15 20
20	28	—	20	10 12 15 16 19 20 25 30 35 40 50
20	30	—	20A	16 20 25 30 35 40 70 100
22	32	—	22	12 15 20 25
25	33	—	25	12 15 16 20 25 30 35 40 50 60
25	35	—	25A	12 15 16 20 25 30 35 40 50
28	38	—	28	20 25 30 40
30	38	—	30	12 15 20 25 30 35 40 50 60
30	40	+0.025	30A	12 15 20 25 30 35 40 50 60
32	42	+0.009	32	15 20 30 40
35	44	—	35	20 25 30 35 40 50 60
35	45	—	35A	20 25 30 35 40 50 60
38	48	—	38	30 40
40	50	—	40	15 20 25 30 35 40 50 60 70 80
40	55	—	40A	15 25 30 35 40 50 60
45	55	—	45	30 35 40 50 60
45	56	+0.030	45A	30 35 40 50 60
45	60	+0.011	45B	30 35 40 50 60 70 80
50	60	—	50	20 30 35 40 50 60 70 80
50	62	—	50A	30 35 40 50 60 70
50	65	—	50B	30 40 50 60 70 80 100
55	70	—	55	30 35 40 50 60 70
60	74	—	60	30 35 40 50 60 70 80 100
60	75	—	60A	30 35 40 50 60 70 80 100
63	75	—	63	60 70 80
65	80	—	65	40 50 60 70 80
70	85	+0.035	70	30 35 40 50 60 70 80 100
70	90	+0.013	70A	50 60 70 80
75	90	—	75	50 60 70 80 100
75	95	—	75A	60 70 80 100
80	96	—	80	20 40 50 60 70 80 100 120
80	100	—	80A	40 50 60 70 80 100 120 140
85	100	—	85	25 60 80
90	110	—	90	30 50 60 70 80 90 100 120
100	120	+0.071	100	40 50 60 70 80 90 100 120 140
110	130	+0.036	110	50 70 80 100 120
120	140	—	120	70 80 90 100 120 140
125	145	—	125	100 120
130	150	+0.040	130	80 100 130
140	160	+0.015	140	100 140
150	170	—	150	80 100 150
160	180	—	160	80 100 150

Order
 GGBW60 — 50
 GGBW60A — 50

Days to Ship

Price

OIL-FREE WASHERS



d (Actual dimension)	D	T	Mounting bolt hole			Catalog No.	d (Nominal dimension)	
			P.C.D.	Qty.	Flat head bolt used			
10.2	30	3	20	2	M3	3.5	10	
12.2	40		28				12	
13.2			28				13	
14.2			28				14	
15.2	50	35	4		M5	6	15	
16.2							35	16
18.2							35	18
20.2	55	40			M6	7	20	
25.2							40	25
30.2							45	30
35.2	70	50		35				
40.2	80	60		40				
45.3	90	67.5		M8	9	45		
50.3	100	75				50		
55.3	110	85	55					
60.3	120	90	60					
65.3	125	95	M10	11	65			
70.3	130	100			70			
75.3	140	110			75			
80.3	150	120			80			
90.5	170	140	Without bolt holes		90			
100.5	190	160			100			
120.5	200	175			120			
10.2	30	3	Without bolt holes			GBWCN	10	
12.2	40						12	
16.2	50	5					16	
20.2							20	
25.2							25	

Order
 GBWC 60

Days to Ship

Price

GUIDING COMPONENTS FOR AUTOMOTIVE DIES