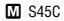

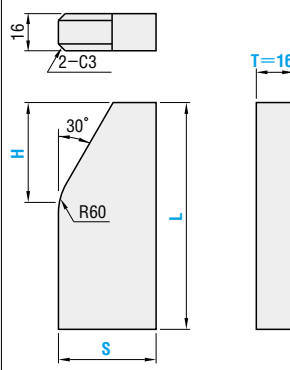


NEST GUIDE BLANKS / MOUNTING PLATES FOR NEST GUIDES

NEST GUIDES —SURFACE SUPPORT TYPE—

Nest guide blanks
-Long type- **RoHS**

NBBCL 

Ⓜ S45C

Ⓜ H is the dimension prior to R60 machining.

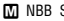
Catalog No.	S	L	H	Base unit price
Type	Thickness T	10mm increments	10mm increments	1~9 pieces
NBBCL	16	50	200~250	Quotation
			260~300	
			310~350	


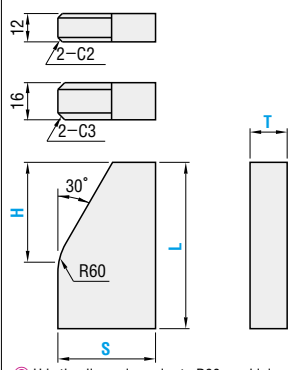
Order **Catalog No.** - **S** - **L** - **H**
NBBCL16 - 50 - 300 - 30

Days to Ship **Quotation**

Price **Quotation**

Nest guide blanks
RoHS

NBB
NBBC 

Ⓜ NBB SS400
Ⓜ NBBC S45C

Ⓜ H is the dimension prior to R60 machining.

Catalog No.	S	L	H	Base unit price
Type	Thickness T	selection	5mm increments	selection
NBB	12	32	65~200	S32-50
	16	50		
NBBC	16	75	40	S75-100


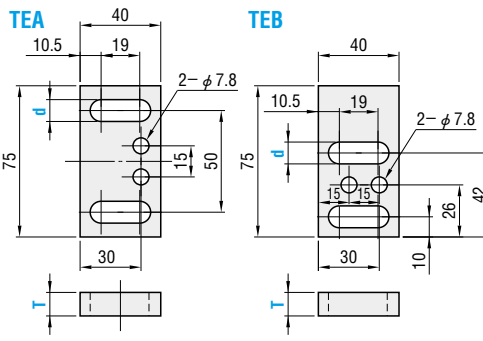
Order **Catalog No.** - **S** - **L** - **H**
NBB12 - 75 - 100 - 30

Days to Ship **Quotation**

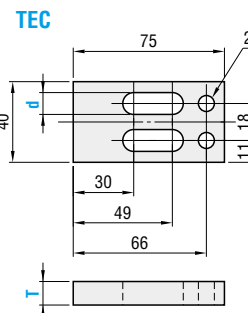
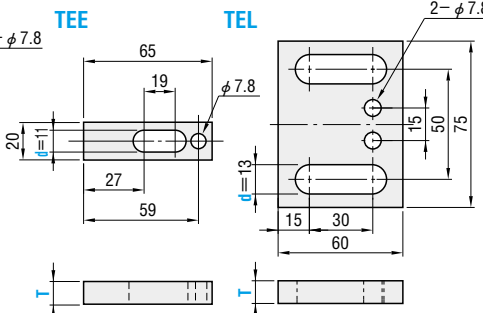
Price **Quotation**

Nest guide mounting plates
RoHS

TEA **TEB**

TEC **TEE** **TEL**

Ⓜ SS400

Catalog No.	d	Base unit price
Type	Thickness T	1~9 pieces
TEA	12	Quotation
	13	
TEB	11	Quotation
	13	
TEE	12	11
TEL	16	13

※ d13 cannot be used for TEC.


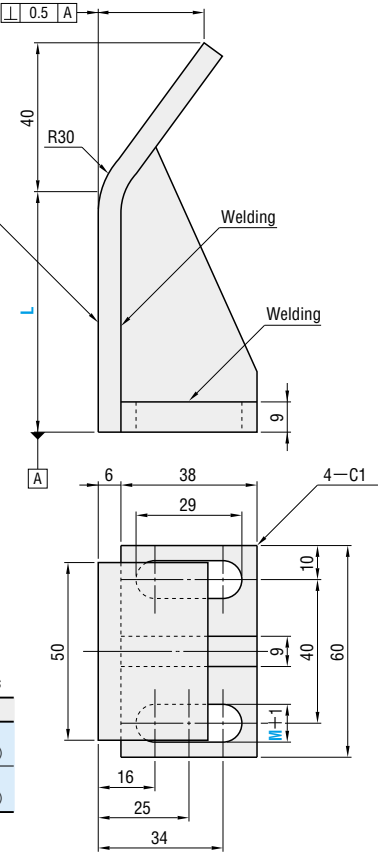
Order **Catalog No.** - **d**
TEA12 - 13

Days to Ship **Quotation**

Price **Quotation**

RoHS

NSTFA (Non-plated)
NSTFB (Plated)

Panel contact face
Hard chrome plating (10~30 μm)
(Plated)

Welding

Welding

Ⓜ SS400

■ Mounting bolts and other accessories

M	A
M10	CB10-30 (2 pcs.) Spring washer for M10 (2 pcs.)
M12	CB12-30 (2 pcs.) Spring washer for M12 (2 pcs.)

Ⓜ L,40 is the dimension prior to R30 machining.

Catalog No.	L	Mounting bolt hole	Base unit price
Type	5mm increments	M	1~9 pieces
NSTFA (Non-plated)	75~100	M10	Quotation
NSTFB (Plated)	105~150	M12	Quotation

Order **Catalog No.** - **L** - **M**
NSTFA - 100 - M12

Days to Ship **Quotation**

Price **Quotation**