


DISAPPEARING GAUGES

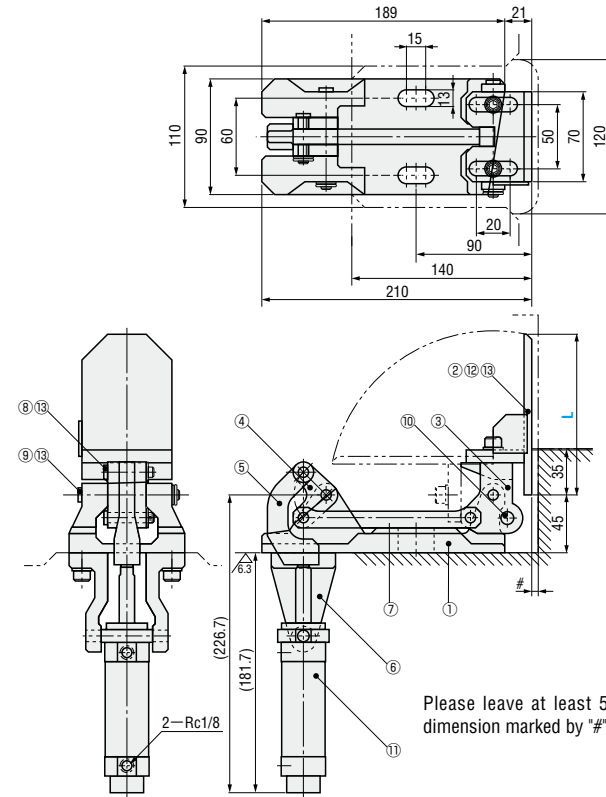
—SWIVEL TYPE—

DISAPPEARING GAUGES

—ECONOMIC SWIVEL TYPE—



DGKC



Please leave at least 5mm for dimension marked by "#".

2—Rc1/8

Do not use it under air pressure of 4kgf/cm² or less.


Components

No.	Name	Quantity	Remarks
①	Base	1	FCD550
②	Back plate	1	Equivalent to SS400
③	Bracket	1	Equivalent to SS400
④	Fitting	1	Equivalent to SS400
⑤	Link block	1	Equivalent to SS400
⑥	Cylinder bracket	2	Equivalent to SS400
⑦	Link	1	Equivalent to SS400

No.	Name	Quantity	Remarks
⑧	Link pin(S)	3	S45C
⑨	Link pin(L)	2	S45C
⑩	Stop pin	1	S45C
⑪	Cylinder	1	AIRTAC
⑫	Hexagon socket head cap bolt	2	M8 × 25
⑬	Washer	2	M8

Catalog No.	L
DGKC	75
	100
	125
	150
	175
	200
	225
250	

Alterations


Alteration	Code	Spec.
Cylinder change 	S	Change to SMC cylinder

Order

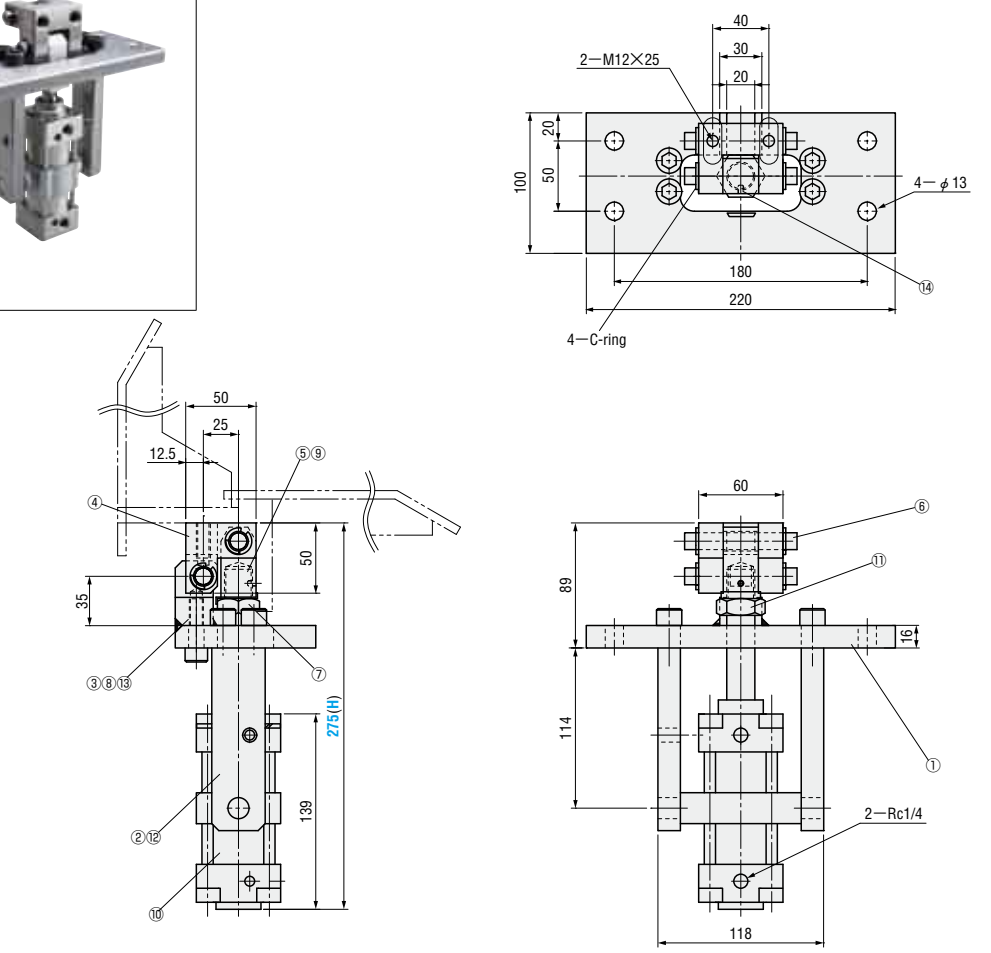
Catalog No. **DGKC** L **150**

Days to Ship Quotation

Price Quotation



DGRC



Components

No.	Name	Quantity	Remarks
①	Baseplate	1	Equivalent to SS400
②	Cylinder link plate	2	Equivalent to SS400
③	Bracket of swivel block	1	Equivalent to SS400
④	Swivel block	1	Equivalent to SS400
⑤	Fitting	1	Equivalent to SS400
⑥	Link pin	2	S45C HRC50 ~
⑦	Locking plate	1	SPCC T=0.8

No.	Name	Quantity	Remarks
⑧	Guide bushing	1	Copper alloy
⑨	Guide bushing	1	Copper alloy
⑩	Cylinder	1	AIRTAC
⑪	Nut	1	M20 × 15
⑫	Special hexagon socket head cap bolt	4	M12 × 40
⑬	Special hexagon socket head cap bolt	1	M10 × 35
⑭	Hexagon socket head set bolt	1	M4 × 6

Order

Catalog No. **DGRC** H **275**

Days to Ship Quotation

Price Quotation

LOCATING COMPONENTS FOR AUTOMOTIVE DIES