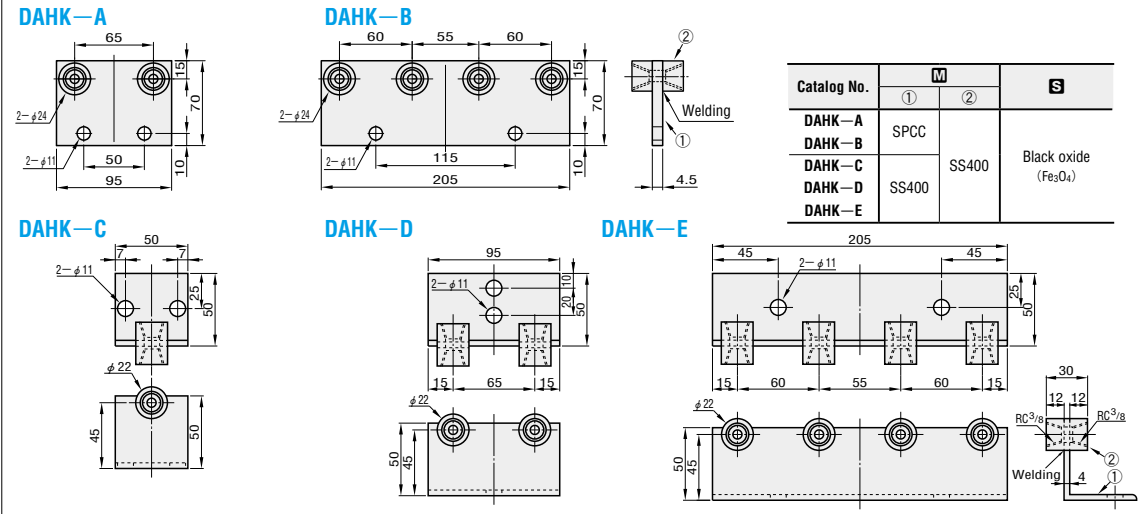


AIR TUBE BRACKETS / TUBING TERMINALS

AIR MANIFOLDS



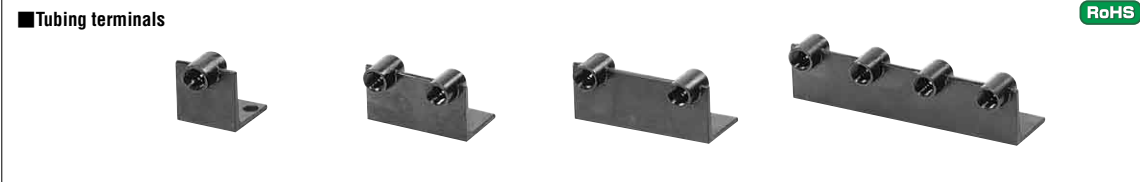
RoHS



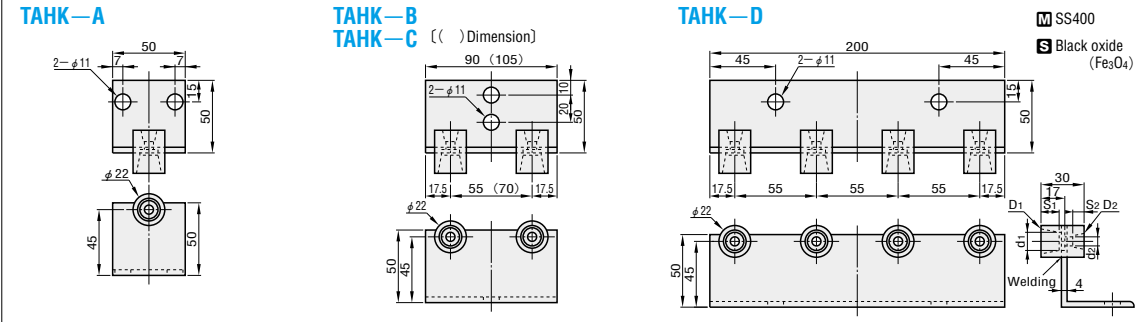
Catalog No.	Base unit price
DAHK-A	1~9 pieces
DAHK-B	Quotation
DAHK-C	
DAHK-D	
DAHK-E	

Order Catalog No. DAHK-A Days to Ship Quotation

Price Quotation

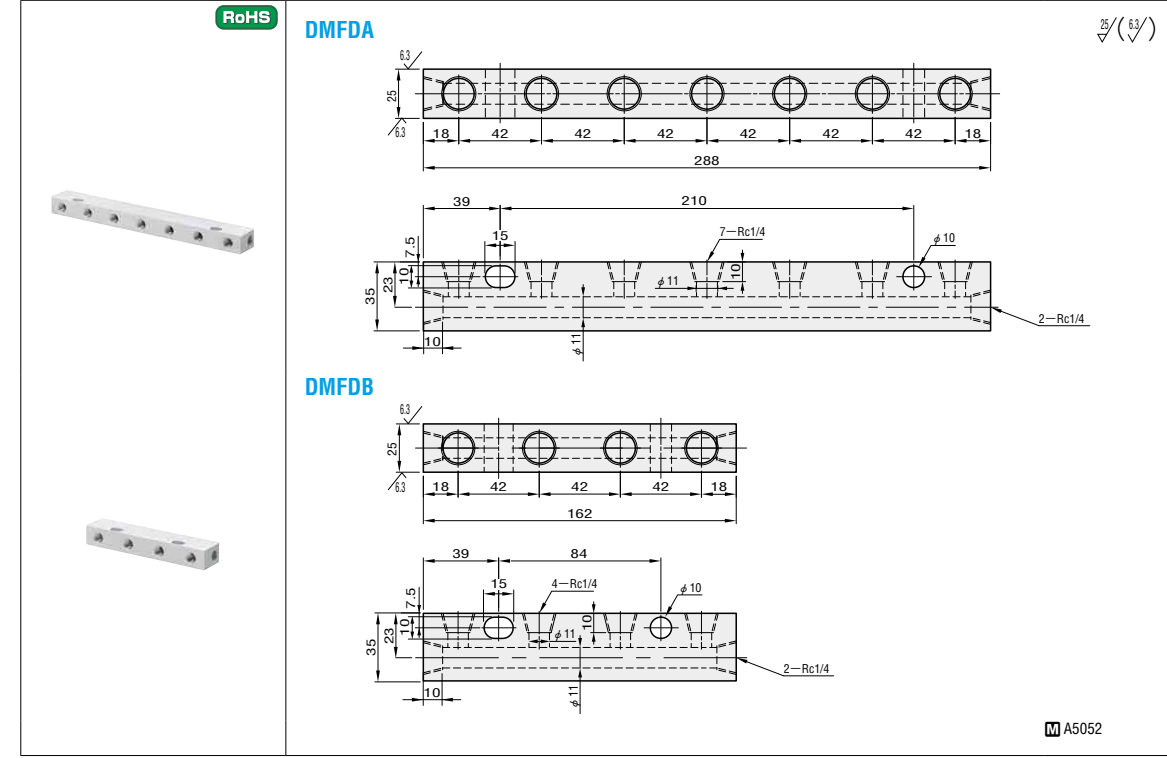


RoHS



RC (PT)		d ₁	d ₂	S ₁	S ₂	Catalog No.		Base unit price 1~9 pieces			
D ₁	D ₂					Type	No.	TAHK-A	TAHK-B	TAHK-C	TAHK-D
3/8	1/8	12	6	12	8	TAHK-A	1	Quotation			
	1/4		11		TAHK-B	2					
	3/8		12		TAHK-C	3					

Order Catalog No. TAHK-D-2 Days to Ship Quotation Price Quotation



Catalog No.	Base unit price
DMFDA	1~4 pieces
DMFDB	Quotation

Order Catalog No. DMFDA Days to Ship Quotation

Price Quotation

CONVENIENCE COMPONENTS FOR AUTOMOTIVES