
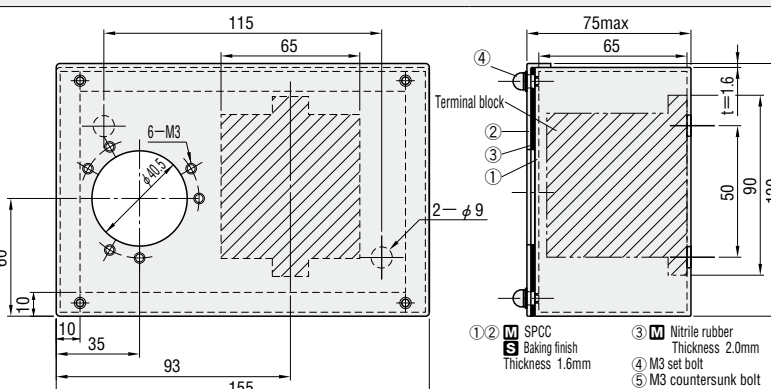

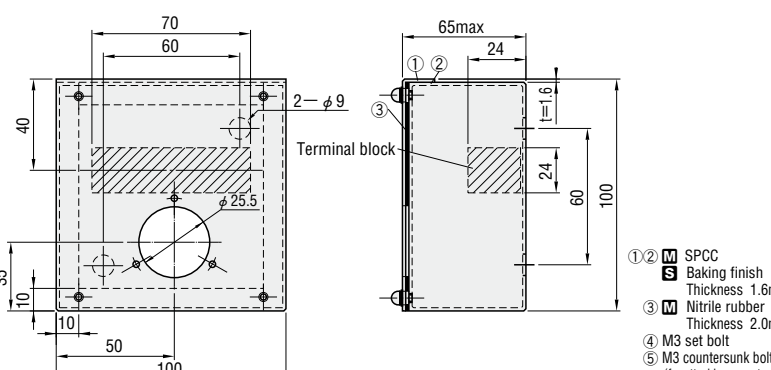


JUNCTION BOXES WITH TERMINAL BLOCKS

HOOKS FOR TRANSPORT DEVICES / CURL CORD HOOKS

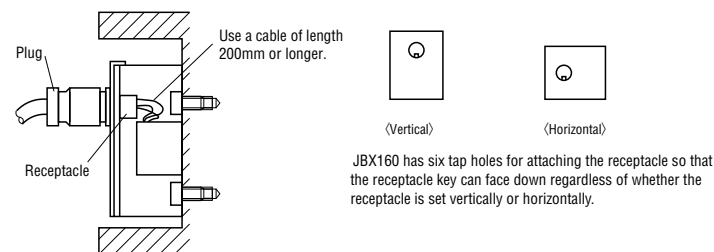
| Type | Shape |
|---|---|
| JBX160 RoHS  |  <p>①② M SPCC Baking finish Thickness 1.6mm ③ M Nitrile rubber Thickness 2.0mm ④ M3 set bolt ⑤ M3 countersunk bolt (for attaching receptacle)</p> |
| JBX100 RoHS  |  <p>①② M SPCC Baking finish Thickness 1.6mm ③ M Nitrile rubber Thickness 2.0mm ④ M3 set bolt ⑤ M3 countersunk bolt (for attaching receptacle)</p> |

| Receptacle | Terminal block spec. | | | | | | Catalog No. | | Base unit price |
|------------------------------|----------------------|----------------|-----------------------------------|-------|----------------|--------------------|-------------|------------------|-----------------|
| | Applicable standard | Terminal block | Rating Voltage (V) Current (A) | Cable | Terminal screw | Number of contacts | Type | No. | |
| Nanaboshi Scientific NCS25□R | RTK—10M—8P | 250 15 | 1.25mm ² | M3 | 6 | JBX | 100 | Quotation | |
| Nanaboshi Scientific NCS40□R | BNDH15LW | 600 21 | 2mm ² | M3.5 | 12 | | 160 | | |


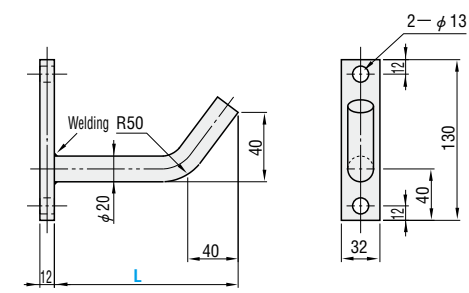
Order **Catalog No. JBX 100** Price **Quotation**

Days to Ship **Quotation**

Example ■ Example of JBX attachment ■ Direction of receptacle key (JBX160) ■ Selection of receptacle
 Select an appropriate type of receptacle that suits the specifications of the press machine.



To attach the junction box to the die, insert two M8 bolts through the back of the box and fasten the box in place. Please note that this product does not include a hole for the cable from the sensor.

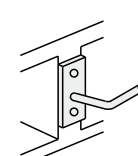
| Hooks for transport devices | RoHS | DVJ |
|---|------|---|
|  | |  |


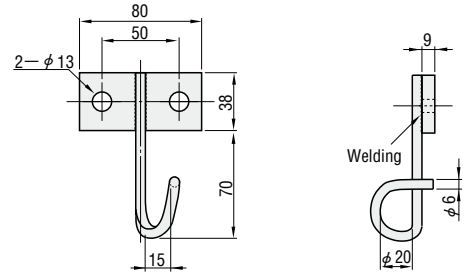
| Catalog No. | Base unit price |
|-------------|-----------------|
| Type | L |
| DVJ | 100 |
| | 150 |

Order **Catalog No. DVJ 100**

Days to Ship **Quotation**

Price **Quotation**

ex Example 

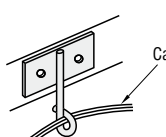
| Curl cord hooks | RoHS | DKLH |
|---|------|---|
|  | |  |

| Catalog No. | Base unit price |
|-------------|-----------------|
| Type | No. |
| DKLH | 80 |

Order **Catalog No. DKLH 80**

Days to Ship **Quotation**

Price **Quotation**

ex Example 

CONVEYANCE COMPONENTS FOR AUTOMOTIVES