

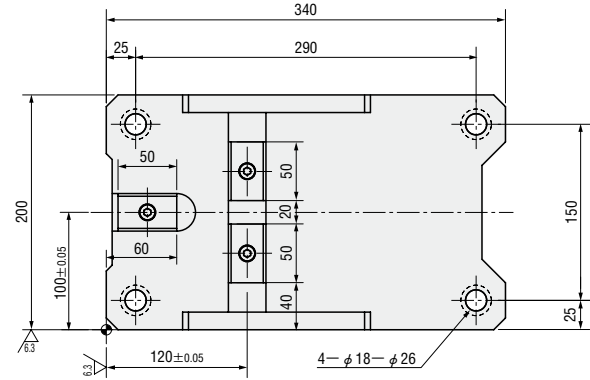
# WIDE FLYING CAM UNITS FOR PIERCE

— MGFVW · MEVWN —

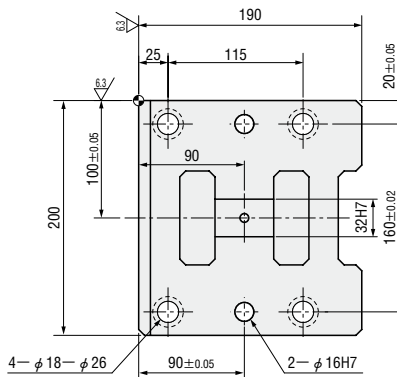
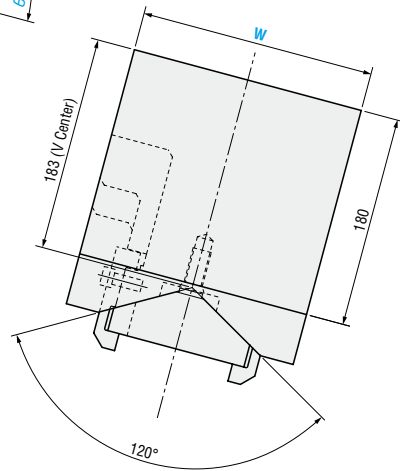
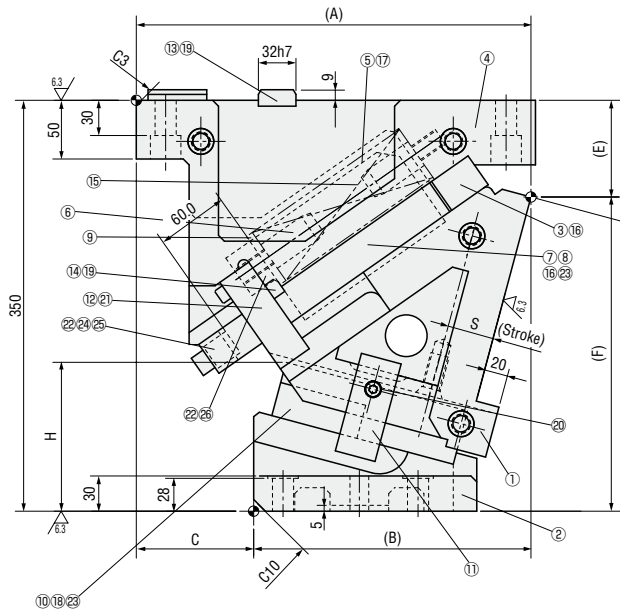
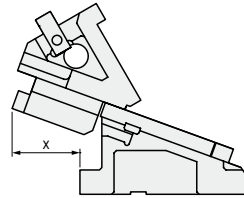


— With automatic alignment —  
MGFVW200 (θ=00-40)

— Without automatic alignment —  
MEVWN200 (θ=00-40)  
(Economy type)



■ Rear removal space



■ Components table P.1213

| W   | θ  | A      | B      | C   | E      | F      | H     | x   |
|-----|----|--------|--------|-----|--------|--------|-------|-----|
| 200 | 00 | 313    | 175    | 138 | 58     | 292    | 102   | 47  |
|     | 05 | 320.64 | 195.64 | 125 | 64.34  | 285.66 | 110.8 | 61  |
|     | 10 | 331.08 | 216.08 | 115 | 72.47  | 277.53 | 119.1 | 70  |
|     | 15 | 336.17 | 236.17 | 100 | 82.37  | 267.63 | 126.8 | 80  |
|     | 20 | 340.76 | 255.76 | 85  | 94     | 256    | 133.9 | 88  |
|     | 30 | 347.83 | 292.83 | 55  | 112.25 | 237.75 | 155.7 | 103 |
|     | 40 | 351.17 | 326.17 | 25  | 136.66 | 213.34 | 173.9 | 116 |

| Slide Stroke S | Working force KN (tonf) |                    | Spring load N (kgf) |                               |                 | Total weight kg | Catalog No.  | W   | θ  |
|----------------|-------------------------|--------------------|---------------------|-------------------------------|-----------------|-----------------|--|-----|----|
|                | Standard working force  | Max. working force | Preload             | 5mm before bottom dead center | Max. load       |                 |  |     |    |
| 38.6           | 117.7<br>(12.0)         | 235.4<br>(24.0)    | 817<br>(83.3)       | 4372<br>(445.8)               | 4903<br>(500.0) | 95.0            | — With automatic alignment —<br>MGFVW                      | 200 | 00 |
| 42.6           |                         |                    |                     | 4427<br>(451.4)               |                 |                 |  |     | 05 |
| 46.7           |                         |                    |                     | 4467<br>(455.5)               |                 |                 |  |     | 10 |
| 50.9           |                         |                    |                     | 4501<br>(459.0)               |                 |                 |  |     | 15 |
| 55.3           |                         |                    |                     | 4535<br>(462.5)               |                 |                 |  |     | 20 |
| 65.1           |                         |                    |                     | 4590<br>(468.0)               |                 |                 |  |     | 30 |
| 77.1           |                         |                    |                     | 4638<br>(472.9)               |                 |                 |  |     | 40 |
|                |                         |                    |                     |                               |                 |                 | — Without automatic alignment —<br>MEVWN<br>(Economy type) |     |    |



Order

Catalog No. MGFVW  
W 200  
θ 10



Days to Ship

Quotation



Price

Quotation



Alterations

Catalog No. MGFVW  
W 200  
θ 20  
(N · K · FK) N

| Alterations | Code | Spec.   |
|-------------|------|---|
|             | N    | Add dowel hole<br>Add 2 φ 16H7 dowel holes on cam holder          |
|             | K    | Add locating key<br>(With 1 hexagon socket head cap screw M8×15)  |
|             | FK   | Move key position<br>Move forward the locating key on cam holder. |