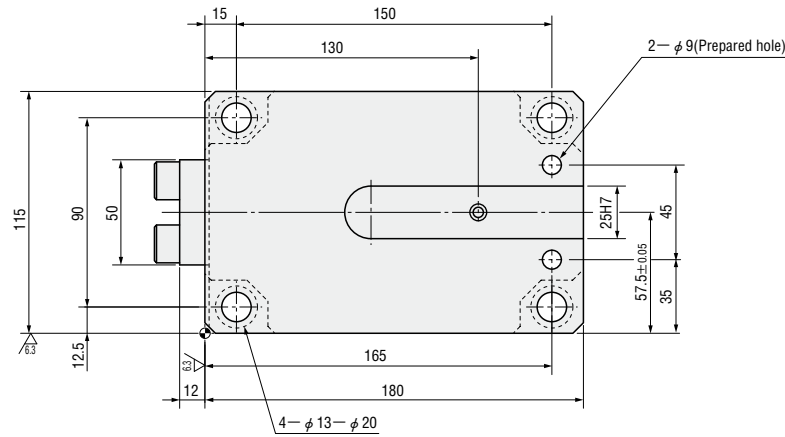


# FLYING CAM UNITS FOR TRIM & FLANGE

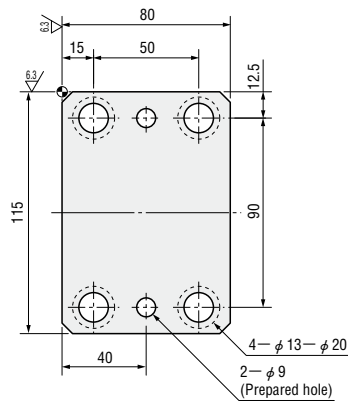
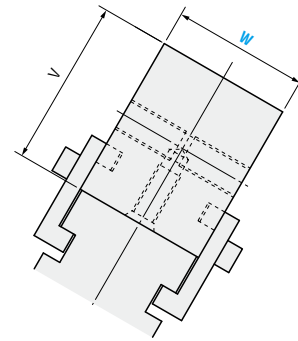
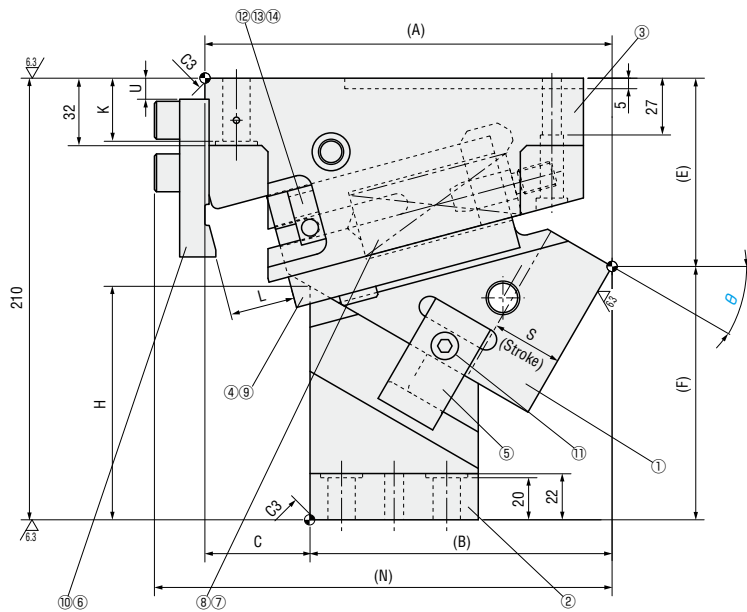
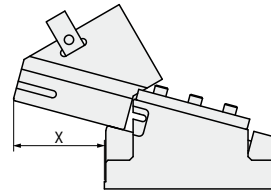
— MGFTT · MEFTT —



**MGFTT65**  
**MEFTT65**(Economy type)



■ Rear removal space



■ Components table P.1247

W	θ	A	B	C	E	F	H	K	L	N	V	U	X	
65	00	185.94	110.94	75	56.57	153.43	73.4	30	38	209.94	80	55	52	
	05	193.01	123.01	70			73.9			217.01	90			
	10	196.8	126.8	70	67.58	142.42	83.5			220.8	80	40	61	
	15	203.77	136.77	67	68.81	141.19	84.7			227.77	90	80	61	
	20	198.1	138.1	60	74.31	135.69	100.8		222.1	80	10	71		
	25	204.75	149.75	55	76.73	133.27	103.8		228.75	90				
	30	193.63	143.63	50	89.52	120.48	111		217.63	80				
	35	199.76	154.76	45	93.06	116.94	105		223.76	90	15	79		
	40	188.72	148.72	40	99.62	110.38	120		212.72	80				
	45	194.13	160.13	34	104.16	105.84	115		218.13	90	10	77		
	50	190	160	30	110	100	130		18	35			214	100
	55		170	20	115	95				25			100	
	60		190	0	130	80				20	110			
	65	70	190	0	130	80	110		92					

Slide Stroke S	Working force KN (tonf)		Spring load N (kgf)			Total weight kg	Catalog No.	W	θ
	Standard working force	Max. working force	Preload	5mm before bottom dead center	Max. load				
26.9	19.6(2.0)	39.2(4.0)	166(16.9)	898( 91.6)	1067(108.8)	19.5	MGFTT MEFTT (Economy type)	65	00
27.0			972( 99.1)	19.8	05				
31.6			237(24.2)	995(101.5)	19.3	10			
32.2			998(101.7)	19.6	15				
33.8			308(31.4)	1014(103.4)	18.1	20			
35.0			1019(103.9)	18.4	25				
33.5	23.5(2.4)	47.1(4.8)	427(43.5)	1031(105.1)	1138(116.0)	17.7			30
35.4			1038(105.9)	18.0	35				
42.9			356(36.3)	1048(106.8)	16.9	40			
46.5			1055(107.5)	17.1	45				
54.5	29.4(3.0)	58.8(6.0)	308(31.4)	1062(108.3)	1040(106.0)	16.8			50
43.6			953( 97.2)	17.8	55				
50.0			965( 98.4)	17.3	60				
47.3			829( 84.5)	18.5	65				
58.5			841( 85.7)	891( 90.9)	18.4	70			

Order **Catalog No.** MGFTT **W** 65 **θ** 40

Price **Quotation**

Days to Ship **Quotation**

Alterations **Catalog No.** MGFTT **W** 65 **θ** 15 (HK · DK...etc.) HDK10

Alterations	Code	Spec.	Alterations	Code	Spec.
	HK	Finish dowel hole on holder Only 10, 12 or 13 can be specified φ 9(Prepared hole) ⇒ φ 10H7, φ 12H7 or φ 13H7		HDK	Finish dowel holes on driver & holder Only 10, 12 or 13 can be specified φ 9(Prepared hole) ⇒ φ 10H7, φ 12H7 or φ 13H7
	DK	Finish dowel hole on driver Only 10, 12 or 13 can be specified φ 9(Prepared hole) ⇒ φ 10H7, φ 12H7 or φ 13H7		K	Add locating key (With 1 hexagon socket head cap screw M8×15)