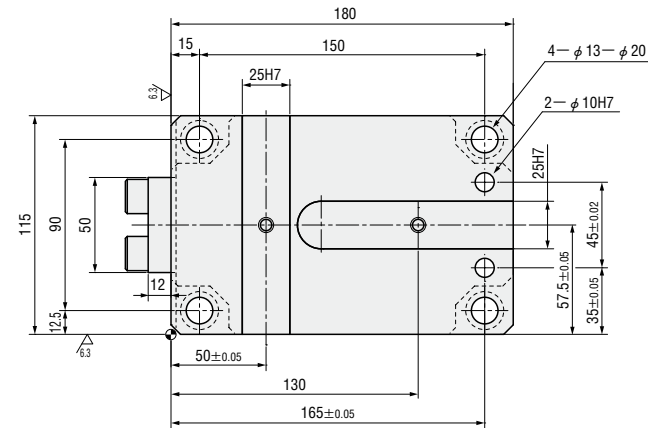


V SHAPE GUIDE FLYING CAM UNITS FOR TRIM & FLANGE

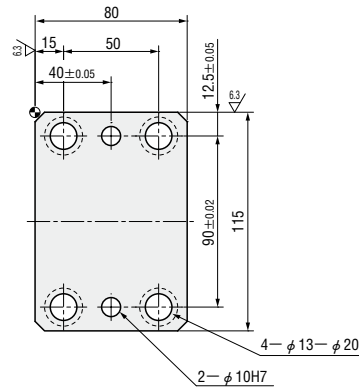
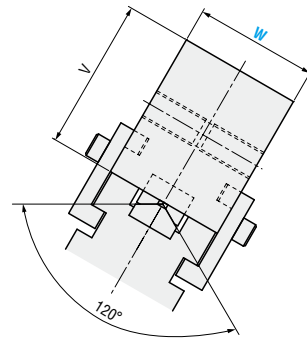
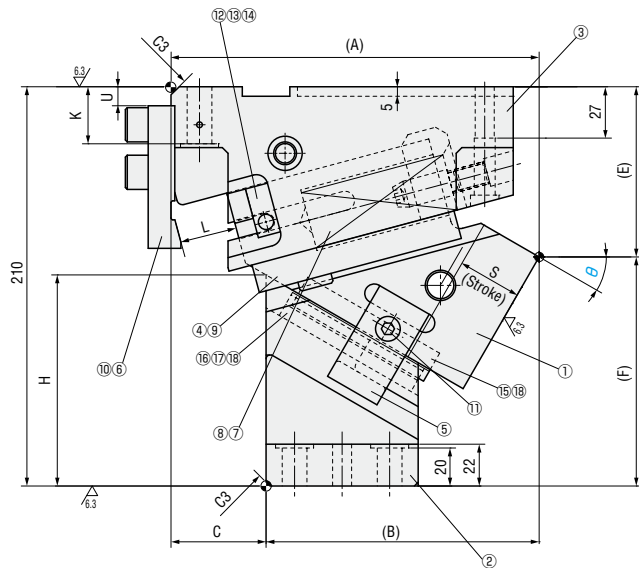
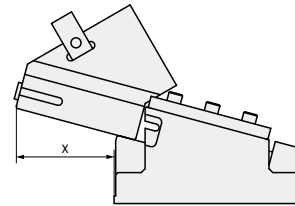
—MGFVT · MEVTN—



MGFVT65 ($\theta=00-70$)
MEVTN65 ($\theta=00-70$)
(Economy type)



■Rear removal space



■Components table P.1257

W	θ	A	B	C	E	F	H	K	L	U	V	x	
65	00	185.94	110.94	75	56.57	153.43	73.4	30	38	55	80	52	
	05	193.01	123.01	70			73.9				90		
	10	196.8	126.8	70	67.58	142.42	83.5				80	61	
	15	203.77	113.47	67	68.81	141.19	84.7				90		
	20	198.1	138.1	60	74.31	135.69	100.8		80	71			
	25	204.75	149.75	55	76.73	133.27	103.8		90				
	30	193.63	143.63	50	89.52	120.48	111		80	79			
	35	199.76	154.76	45	93.06	116.94	105		90				
	40	188.72	148.72	40	99.62	110.38	120		80	77			
	45	194.13	160.13	34	104.16	105.84	115		90				
	50	190	160	30	110	100	130		18	35	15	100	87
	55		170	20	115	95				25		110	
	60		190	0	130	80				20	110	92	
	65		190	0	130	80				20	110	92	

Slide Stroke S	Working force KN (tonf)		Spring load N (kgf)			Total weight kg	Catalog No.	W	θ
	Standard working force	Max. working force	Preload	5mm before bottom dead center	Max. load				
26.9	19.6 (2.0)	39.2 (4.0)	166(16.9)	898(91.6)	1067(108.8)	19.5	MGFVT MEVTN (Economy type)	65	00
27.0			972(99.1)	19.8	05				
31.6			237(24.2)	995(101.5)	19.3	10			
32.2			998(101.7)	19.6	15				
33.8			308(31.4)	1014(103.4)	18.1	20			
35.0			1019(103.9)	18.4	25				
33.5			427(43.5)	1031(105.1)	17.7	30			
35.4			1038(105.9)	18.0	35				
42.9			356(36.3)	1048(106.8)	16.9	40			
46.5			1055(107.5)	17.1	45				
54.5			308(31.4)	1062(108.3)	16.8	50			
43.6			297(30.3)	953(97.2)	17.8	55			
50.0				965(98.4)	17.3	60			
47.3				829(84.5)	18.5	65			
58.5	841(85.7)	18.4		70					



Order

Catalog No. MGFVT W 65 θ 40



Days to Ship

Quotation



Price

Quotation



Alterations

Catalog No. MGFVT W 65 θ 30 (K)

Alteration	Code	Spec.
	K	Add 2 locating keys (With 2 hexagon socket head cap screws M8×15)