

RIGID FLYING CAM UNITS

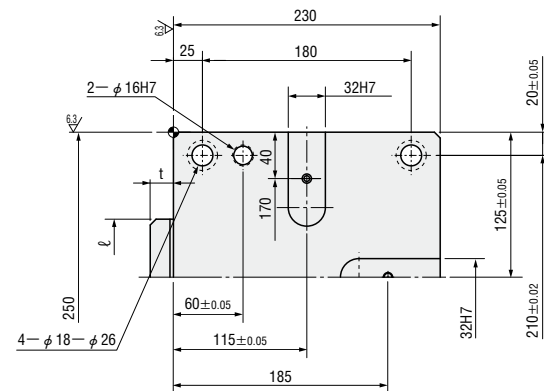
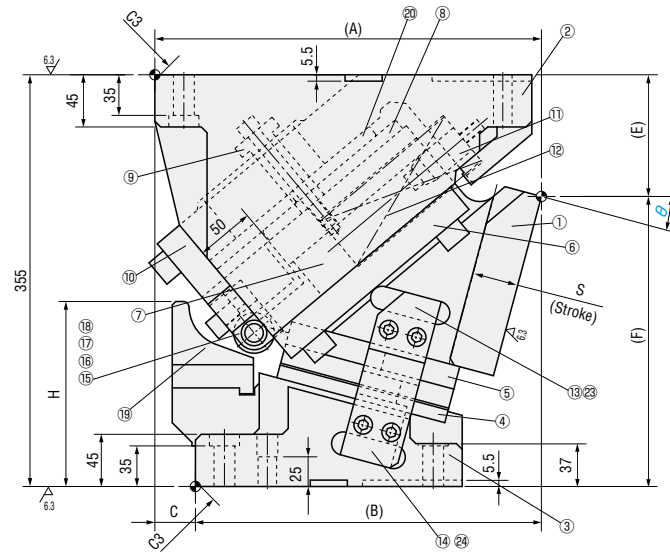
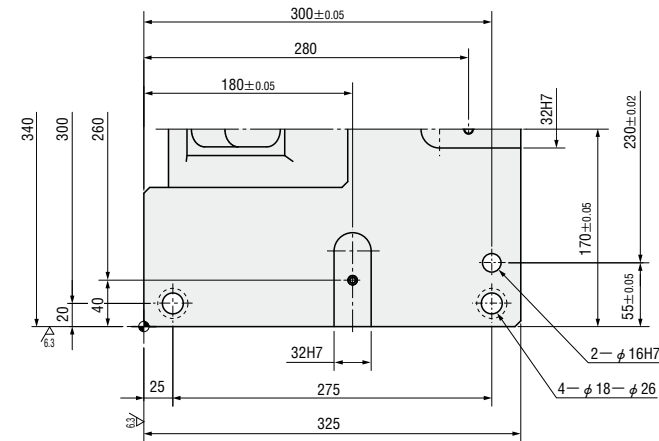
— MGFL • MEFL —

CAM DIAGRAM

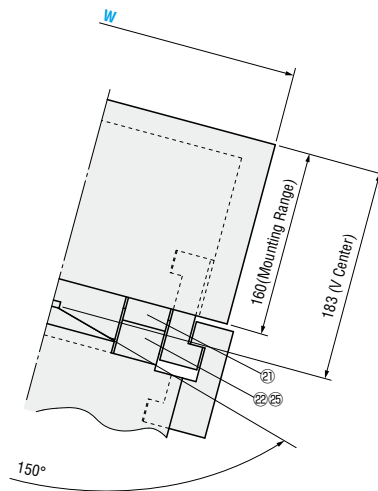
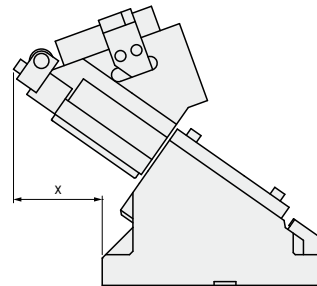
P.1283

MGFL300 ($\theta=00-30$)
MEFL300 ($\theta=00-30$)

(Economy type)



Rear removal space



Components table P.1287

W	θ	A	B	C	E	F	H	ℓ	t	x
300	00	325	245	80	90	265	105	100	25	46
	05	323.19	263.19	60	93.41	261.59	125			75
	10	326.01	281.01	45	98.4	256.6	145			99
	15	333.33	298.33	35	104.92	250.08	159.5		20	114
	20	340.02	315.02	25	112.93	242.07	180		15	127
	25	345.94	330.94	15	122.35	232.65	200		10	137
	30	345.98	345.98	0	133.13	221.87	215		—	—

Slide Stroke S	Working force KN (tonf)		Spring load N (kgf)			Total weight kg	Catalog No.	W	θ
	Standard working force	Max. working force	Preload	5mm before bottom dead center	Max. load				
28.6	294.2 (30.0)	588.4 (60.0)	1725 (175.9)	11901 (1213.6)	14045 (1432.2)	184.5	MGFL MEFL (Economy type)	300	00
32.2				12148 (1238.7)		181.0			05
35.9				12320 (1256.3)		178.7			10
39.6				12492 (1273.9)		177.3			15
43.5				12640 (1289.0)		176.0			20
47.7				12764 (1301.5)		174.9			25
52.3				12862 (1311.6)		173.8			30



Order

Catalog No. **MGFL** W **300** - θ **25**



Days to Ship

Quotation



Price

Quotation



Alterations

Catalog No. **MGFL** W **300** - θ **15** - (K · KA) **K**

Alterations	Code	Spec.
	K	Add 6 locating keys (With 6 hexagon socket head cap screws M8×15)
	KA	Add 6 stepped locating keys (With 6 hexagon socket head cap screws M8×15)