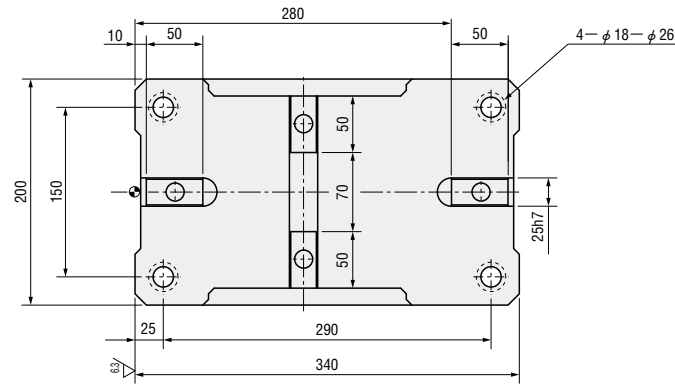


# NAAMS STANDARD FLYING CAM UNITS

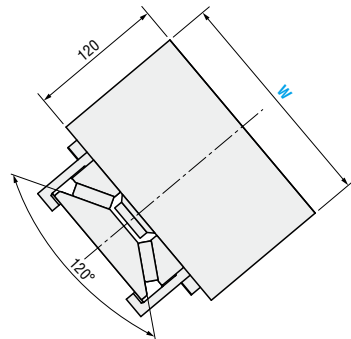
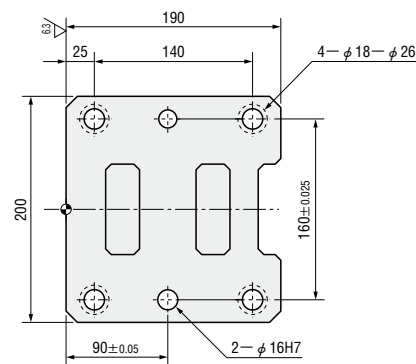
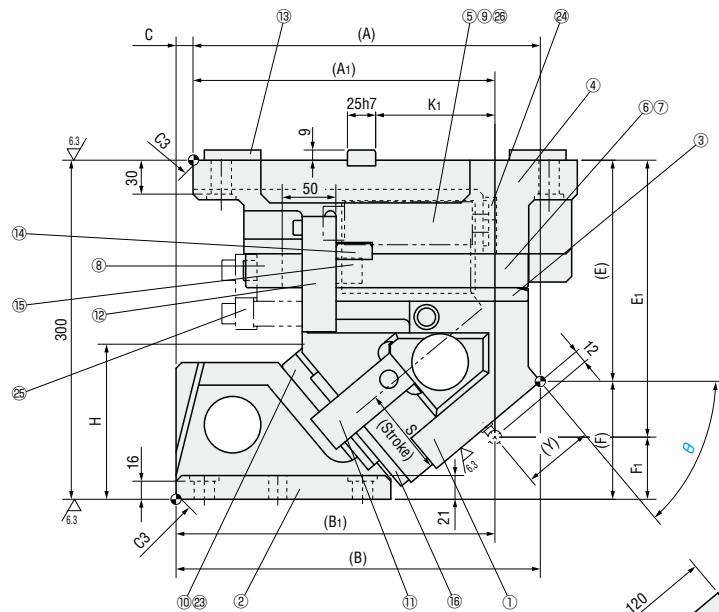
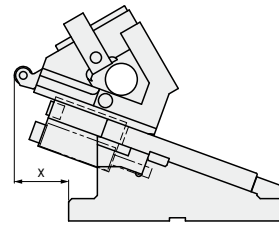
—MGFNS · MEFNS—



MGFNS200 ( $\theta=50-60$ )  
MEFNS200 ( $\theta=50-60$ )  
(Economy type)



### ■ Rear removal space



■ Components table P.1311

W	$\theta$	A	A <sub>1</sub>	B	B <sub>1</sub>	C	E	E <sub>1</sub>	F	F <sub>1</sub>	H	K <sub>1</sub>	Y	x
200	50	307.27	267.1	322.27	282.1	15	195.63	245	104.37	55	137	105.5	62.51	91
	55	296.59	253.67	328.59	285.67	32	210.3	255	89.7	45	140.3	120	60.8	99
	60	288.56	238.54	333.56	283.54	45	222.26	265	77.74	35	145.7	113	64.69	103

Slide Stroke S	Working force KN (tonf)	Total weight kg	Catalog No.	W	$\theta$	Spring Code
77.8	353.0 (36.0)	78.2	MGFNS MEFNS (Economy type)	200	50	GK ISO NGK NISO
87.2		80.5			55	
100.0		82.4			60	

### ■ Spring type

Spring Code	Spring specification	Spring load N (kgf)			Remarks	
		$\theta$	Preload	5mm before bottom dead center		
GK	K500—63.5	—	—	—	Gas spring (Equivalent to KALLER)	
ISO	$\phi 50 \times 178$	50	749(76.4)	4254(433.8)	4494(458.3)	Coil spring (Constant=74.9N/mm)
		55		4277(436.1)		
		60		4307(439.2)		
NGK	—	—	—	—	Without gas spring	
NISO	—	—	—	—	Without coil spring	



Order Catalog No. W -  $\theta$  - Spring Code  
MGFNS 200 - 50 - ISO



Alterations Catalog No. W -  $\theta$  - Spring Code - (N · NF)  
MGFNS 200 - 55 - GK - NF



Days to Ship **Quotation**



Price **Quotation**

Alterations	Code	Spec.
	N	Add dowel hole Add 2 dowel holes ( $\phi 16H7$ ) on cam holder.
	NF	No nitrogen is filled into gas spring. Ⓢ Only for GK.