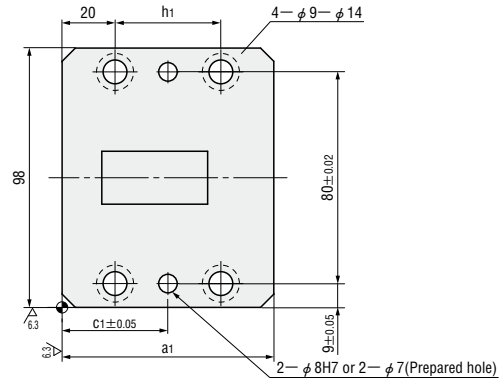


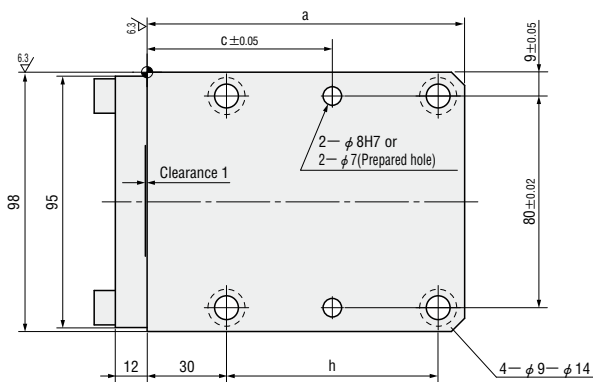
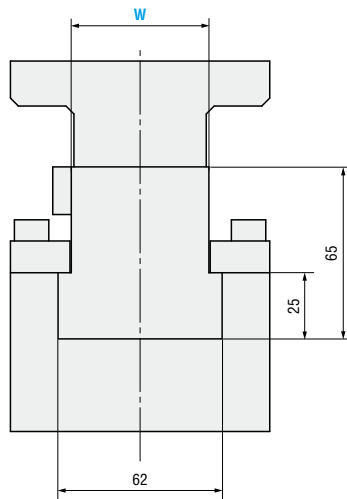
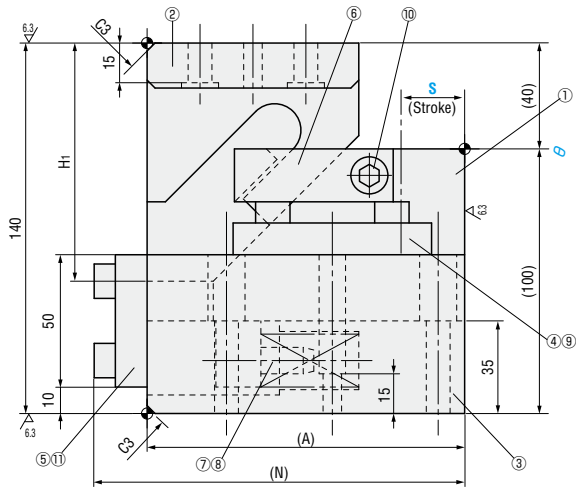
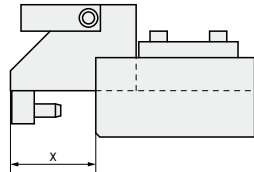
— Drilled dowel holes — — Finished dowel holes —

MGDC52
MEDC52
 (Economy type)

MGDCA52
MEDCA52
 (Economy type)



■ Rear removal space



■ Components table P.1335

W	θ	S	A	H ₁	N	a	a ₁	c	c ₁	h	h ₁	x
52	00	25	120	90	140	120	80	70	40	80	40	68
		40	135	100	155	135	90	80	45	95	50	58
		60	180	120	200	180	110	55	55	140	70	60

Working force KN (tonf)		Spring load N (kgf)			Total weight kg	Catalog No.	W	θ	Slide Stroke S	
Standard working force	Max. working force	Preload	5mm before bottom dead center	Max. load						
14.7 (1.5)	29.4 (3.0)	144 (14.7)	504 (51.4)	594 (60.6)	8.0	— Drilled dowel holes — MGDC MEDC (Economy type)	52	00	25	
		101 (10.3)	542 (55.2)	605 (61.7)	8.0				— Finished dowel holes — MGDCA MEDCA (Economy type)	40
		109 (11.1)	571 (58.2)	613 (62.5)	14.0				60	



Order

Catalog No. **MGDCA** **52** - **00** - **40**



Days to Ship

Quotation



Price

Quotation