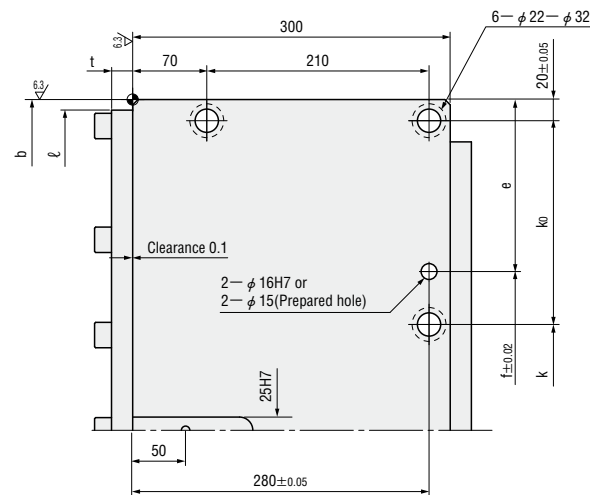
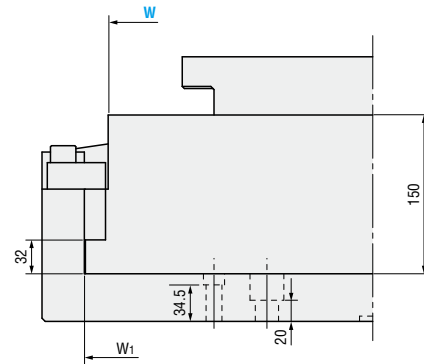
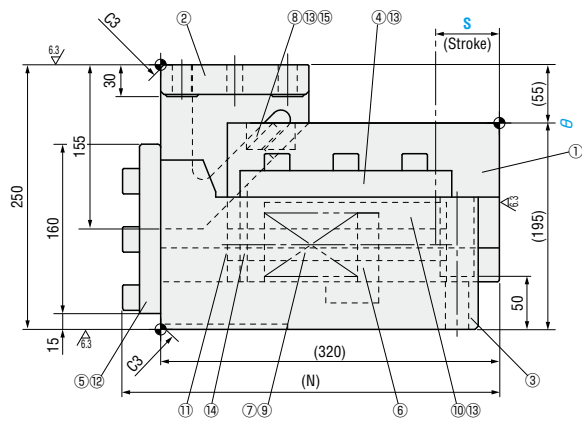
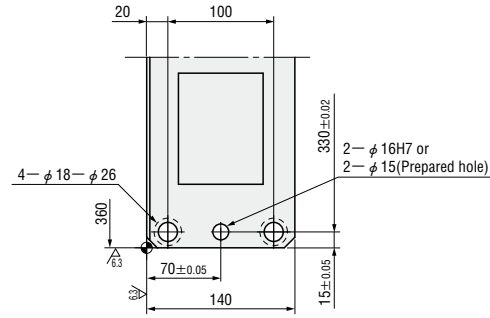


# STANDARD UNDER CAM UNITS — DRILLED DOWEL HOLES / FINISHED DOWEL HOLES—

— MGDC · MGDCA · MEDC · MEDCA —

— Drilled dowel holes —  
MGDC400/500/600  
MEDC400/500/600  
(Economy type)

— Finished dowel holes —  
MGDCA400/500/600  
MEDCA400/500/600  
(Economy type)



W	θ	S	N	W <sub>1</sub>	b	e	f	k	k <sub>0</sub>	ℓ	t
400			356	435	525	112.5	300	200	142.5	505	20
500	00	60	361	535	625	162.5					
600				635	725		400	300	192.5	705	25

Working force KN (tonf)		Spring load N (kgf)			Total weight kg	Catalog No.	W	θ	Slide Stroke S
Standard working force	Max. working force	Preload	5mm before bottom dead center	Max. load					
137.3 (14.0)	205.9 (21.0)	301 (30.7)	8573 (874.2)	9325 (950.9)	203.0	— Drilled dowel holes — MGDC MEDC (Economy type)	400	00	60
					237.0				
					279.0				

Order **Catalog No.** **W** - **θ** - **S**  
MGDCA 500 - 00 - 60

Days to Ship **Quotation**

Price **Quotation**

Alterations **Catalog No.** **W** - **θ** - **S** - (K)  
MGDCA 600 - 00 - 60 - K

Alteration	Code	Spec.
	K	Add locating key (With 1 hexagon socket head cap screw M8×15) 