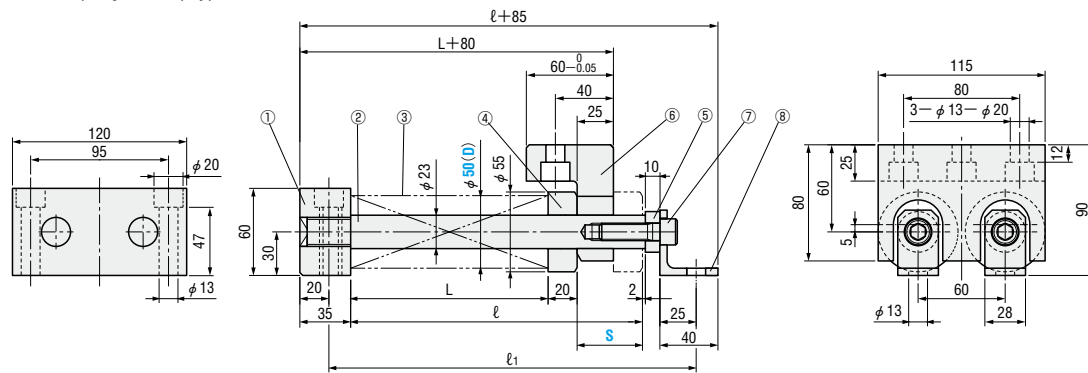


RETURNING UNITS FOR CAM SLIDER PARALLEL TYPE

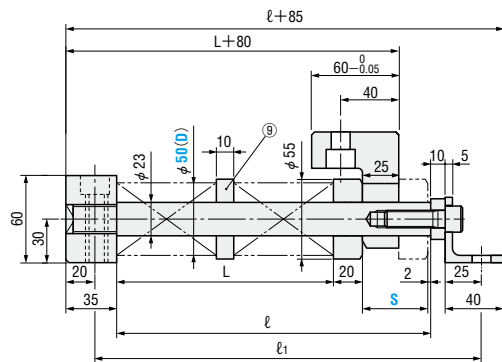


CUSWL 50
CUSWM 50

● Coil spring one-step type



● Coil spring two-step type



⊙ The view above is for Max.load.

■ Table of Components

No.	Name	Quantity	Material, Remarks	No.	Name	Quantity	Material, Remarks
①	Fixed plate	1	SS400	⑥	Slide angle	1	SS400
②	Guide pin	2	S45C 55HRC~	⑦	Hexagon socket head cap screw	2	SCM435 M12×40
③	Coil spring	2(4)	Refer to the specifications table.	⑧	Support angle	2	SS400
④	Separate disk	2	FC250	⑨	Washer	2	FC250
⑤	Pressure disk	2	SS400				

Coil spring		Load N(kgf)		L		ℓ	ℓ ₁	Catalog No.	(D)	S			
Catalog No.	Number of steps	Preload	Max.load	At preload	At Max.load								
SWL 50-100	1	1987 (202.6)	5400 (550.6)	88	68	110	160	CUSWL	50	20			
SWL 50-125	1	1986 (202.5)		110	85	132	182			25			
SWL 50-150	1	1987 (202.6)		132	102	154	204			30			
SWL 50-150	1	1435 (146.3)		137	102	159	209			35			
SWL 50-175	1	1514 (154.3)		159	119	181	231			40			
SWL 50-200	1	1573 (160.4)		181	136	203	253			45			
SWL 50-250	1	1986 (202.5)		220	170	242	292			50			
SWL 50-250	1	1655 (168.8)		225	170	247	297			55			
SWL 50-300	1	1987 (202.6)		264	204	286	336			60			
SWL 50-300	1	1711 (174.5)		269	204	291	341			65			
SWL 50-300	1	1435 (146.3)		274	204	296	346			70			
SWM50-125	1	2952 (301.0)		7840 (799.5)	113	93	135			185	CUSWM	50	20
SWM50-150	1	2856 (291.2)			136	111	158			208			25
SWM50-200	1	3217 (328.1)			179	149	201			251			30
SWM50-225	1	2996 (305.5)	203		168	225	275	35					
SWM50-250	1	2942 (300.0)	226		186	248	298	40					
SWM50-300	1	3162 (322.4)	269		224	291	341	45					
SWM50-350	1	3416 (348.4)	311		261	333	383	50					
SWM50-350	1	2978 (303.7)	316		261	338	388	55					
SWM50-200	2	3983 (406.2)	358		298	380	430	60					
SWM50-200	2	3600 (367.1)	363		298	385	435	65					
SWM50-225	2	3814 (388.9)	404	334	426	476	70						



Order

Catalog No.	(D)	S
CUSWL	50	60
CUSWM	50	30



Days to Ship

Quotation



Price

Quotation