


CORNER LINK UNITS

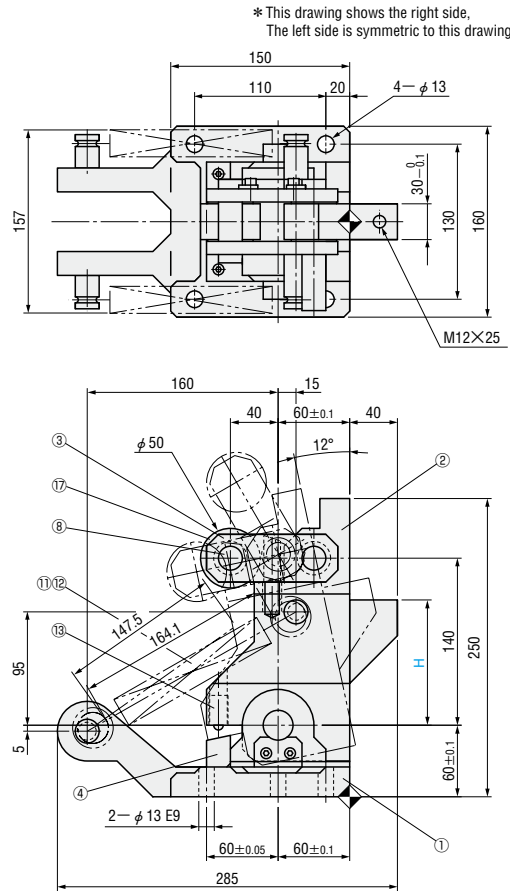
— DOUBLE-HIT PREVENTION TYPE —

DOUBLE-FULCRUM LINK UNITS



MCHU

* This drawing shows the right side. The left side is symmetric to this drawing.



M12×25

157, 150, 110, 20, 4-φ13, 30-0.1, 130, 160, 160, 15, 40, 60±0.1, 40, 12°, φ50, 147.5, 164.1, 140, 250, 95, 5, 2-φ13 E9, 60±0.1, 60±0.05, 60±0.1, 285

Components list

No.	Name	Qty.	Material & remarks
①	Base	1	Equivalent to FCD600
②	Arm	1	SS400
③	H Link	1	S45C
④	Stopper	1	SS400
⑤	Oil-free bushing	2	Copper alloy
⑥	Oil-free bushing	1	Copper alloy
⑦	Oil-free washer	2	Copper alloy
⑧	Roller shaft	1	S45C
⑨	Hinge pin	1	S45C
⑩	Hinge pin	1	S45C
⑪	Tension spring	2	SWP—A
⑫	Ring for tension spring	4	SS400
⑬	Ball plunger	2	

No.	Name	Qty.	Material & remarks
⑭	Oil-free washer	4	Copper alloy
⑮	Key	2	SS400
⑯	Key	1	SS400
⑰	Roller	1	S45C
⑱	Tension spring pin	1	S45C
⑲	Tension spring pin	2	S45C

Spring force

Free length (mm)	Initial length (mm)	Initial tension N (kgf)	Final length (mm)	Final tension N (kgf)
138.0	148.0	97.7×2 (10.0×2)	164.5	148.2×2 (15.2×2)

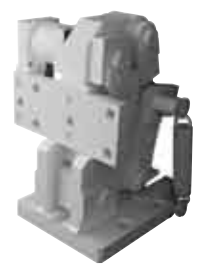
Catalog No.	H 5mm increment	R/L
MCHU	40~140	R · L

Order Catalog No. MCHU H 50 R/L L

Days to Ship Quotation

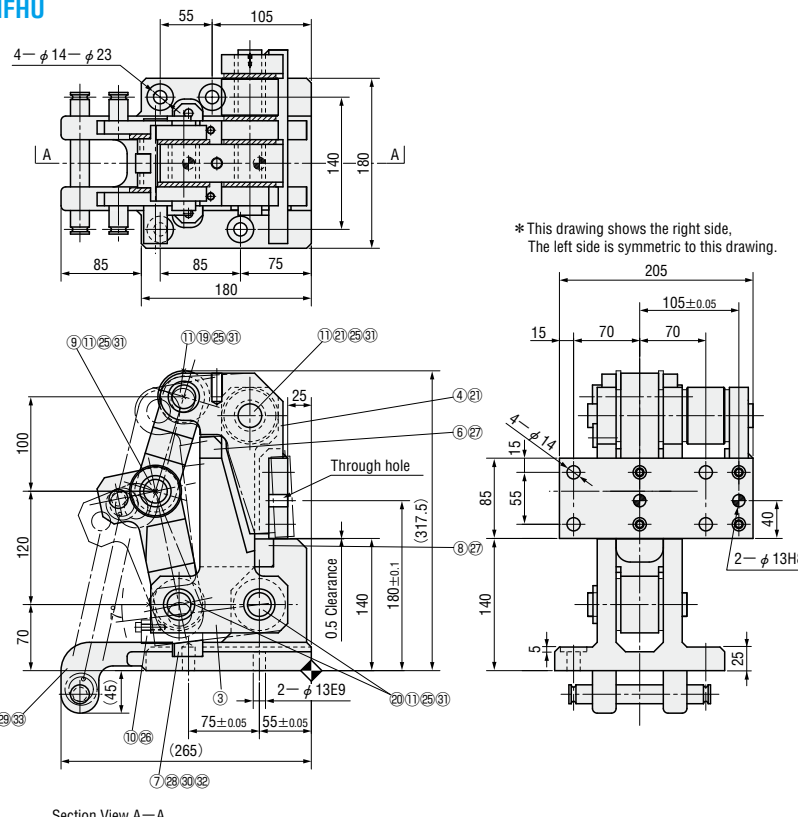
Price Quotation

Drivers conforming to this link unit are MHDB and MHDFCDB. (P.1389 · 1390)



MFHU

* This drawing shows the right side. The left side is symmetric to this drawing.



Section View A—A

Components list

No.	Name	Qty.	Material & remarks
①	Base	1	FCD600 equivalent + SS400
②	Link	1	SS400
③	Bracket	1	SS400
④	Bracket	1	SS400
⑤	Link	1	S45C
⑥	Stopper	1	S45C
⑦	Stopper	1	S45C
⑧	Stopper	1	S45C
⑨	Hinge pin	1	S45C
⑩	Stopper	1	S45C
⑪	Key	5	SS400
⑫	Roller	1	S45C
⑬	Washer	4	S45C
⑭	Oil-free bushing	2	Copper alloy
⑮	Oil-free bushing	1	Copper alloy
⑯	Oil-free bushing	5	Copper alloy
⑰	Oil-free washer	12	Copper alloy
⑱	Carbon steel bearing	1	φ52
⑲	Hinge pin	1	S45C
⑳	Hinge pin	2	S45C

No.	Name	Qty.	Material & remarks
㉑	Hinge pin	1	S45C
㉒	Tension spring	2	SWP—A
㉓	Ring for tension spring	4	SS400
㉔	Hexagon socket head set bolt	1	M4×8
㉕	Hexagon socket head cap bolt	10	M6×15
㉖	Hexagon socket head cap bolt	1	M6×20
㉗	Hexagon socket head cap bolt	4	M8×20
㉘	Hexagon socket head cap bolt	2	M8×25
㉙	Hexagon socket head cap bolt	4	M12×50
㉚	Spring washer	2	For M8
㉛	Spring washer	10	For M6
㉜	Flat washer	2	SS400 For M8
㉝	Spring washer	4	For M12

Spring force

Free length (mm)	Initial length (mm)	Initial tension N (kgf)	Final length (mm)	Final tension N (kgf)
130.0	147.5	192.8×2 (19.7×2)	173.8	332.9×2 (34.0×2)

Catalog No.	R/L
MFHU	R · L

Order Catalog No. MFHU R/L L

Days to Ship Quotation

Price Quotation

Driver conforming to this link unit is MHDF. (P.1391)