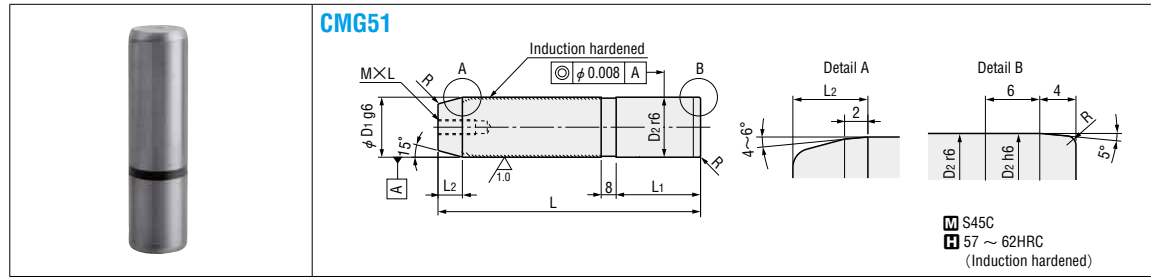




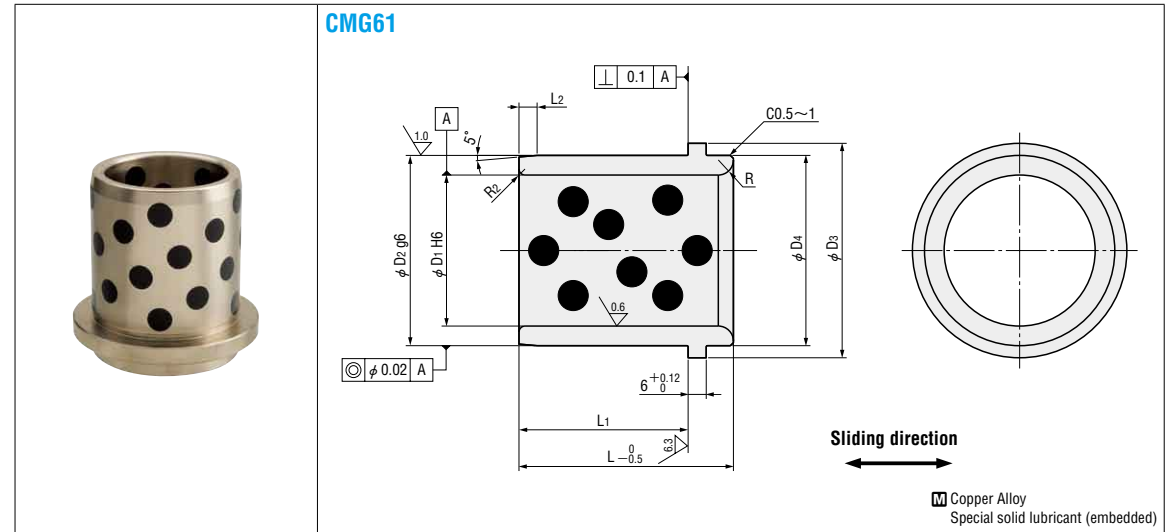
GUIDE POSTS



OIL-FREE GUIDE BUSHINGS



| D1 | D2 | L | L1 | L2 | R | MxL | NAAMS Code | Catalog No. | |
|-----|-----|---------|------|----|-----|--------|------------|-------------|------|
| | | | | | | | | Type | Code |
| 25 | 25 | 80 | 40 | 8 | 2 | M8x20 | G512508 | CMG51 | 2508 |
| | | 100 | | | | | G512510 | | 2510 |
| | | 125 | | | | | G512512 | | 2512 |
| | | 140 | | | | | G512514 | | 2514 |
| | | 160 | | | | | G512516 | | 2516 |
| 32 | 32 | 180 | 45 | 8 | 2 | M8x20 | G512518 | CMG51 | 2518 |
| | | 100 | | | | | G513210 | | 3210 |
| | | 125 | | | | | G513212 | | 3212 |
| | | 140 | | | | | G513214 | | 3214 |
| | | 160 | | | | | G513216 | | 3216 |
| 40 | 40 | 180 | 56 | 8 | 2 | M8x20 | G513218 | CMG51 | 3218 |
| | | 200 | | | | | G513220 | | 3220 |
| | | 225 | | | | | G514016 | | 4016 |
| | | 250 | | | | | G514018 | | 4018 |
| | | 250 | | | | | G514020 | | 4020 |
| 50 | 50 | 225 | 70 | 10 | 2.5 | M8x20 | G514022 | CMG51 | 4022 |
| | | 250 | | | | | G514025 | | 4025 |
| | | 280 | | | | | G515016 | | 5016 |
| | | 315 | | | | | G515018 | | 5018 |
| | | 315 | | | | | G515020 | | 5020 |
| 63 | 63 | 315 | 80 | 10 | 2.5 | M8x20 | G515022 | CMG51 | 5022 |
| | | 355 | | | | | G515025 | | 5025 |
| | | 400 | | | | | G515028 | | 5028 |
| | | 500 | | | | | G515031 | | 5031 |
| | | 500 | | | | | G516320 | | 6320 |
| 80 | 80 | 250 | 100 | 10 | 3 | M12x30 | G516322 | CMG51 | 6322 |
| | | 280 | | | | | G516325 | | 6325 |
| | | 315 | | | | | G516328 | | 6328 |
| | | 400 | | | | | G516331 | | 6331 |
| | | 500 | | | | | G516335 | | 6335 |
| 100 | 100 | 500 | 125 | 10 | 3 | M12x30 | G516340 | CMG51 | 6340 |
| | | 500 | | | | | G516350 | | 6350 |
| | | 250 | | | | | G518025 | | 8025 |
| | | 280 | | | | | G518028 | | 8028 |
| | | 315 | | | | | G518031 | | 8031 |
| 115 | 115 | 315 | 140 | 10 | 3 | M12x30 | G518035 | CMG51 | 8035 |
| | | 400 | | | | | G518040 | | 8040 |
| | | 500 | | | | | G518050 | | 8050 |
| | | 500 | | | | | G511031 | | 1031 |
| | | 500 | | | | | G511035 | | 1035 |
| 125 | 125 | 400 | 140 | 10 | 3 | M12x30 | G511040 | CMG51 | 1040 |
| | | 450 | | | | | G511050 | | 1050 |
| | | 500 | | | | | G511140 | | 1140 |
| | | 550 | | | | | G511150 | | 1150 |
| | | 600 | | | | | G511240 | | 1240 |
| 125 | 125 | 650 | 140 | 10 | 3 | M12x30 | G511245 | CMG51 | 1245 |
| | | 700 | | | | | G511250 | | 1250 |
| | | | | | | | G511255 | | 1255 |
| | | | | | | | G511260 | | 1260 |
| | | | | | | | G511265 | | 1265 |
| | | G511270 | 1270 | | | | | | |



| D1 | D2 | D3 | D4 | L | L1 | L2 | R | NAAMS Code | Catalog No. | |
|-----|-----|-----|-----|-----|-----|----|----|------------|-------------|------|
| | | | | | | | | | Type | Code |
| 25 | 32 | 40 | 32 | 40 | 30 | 4 | 3 | G612540 | CMG61 | 2540 |
| 32 | 40 | 50 | 40 | 50 | 40 | 4 | 3 | G613250 | | 3250 |
| 40 | 50 | 63 | 50 | 63 | 50 | 5 | 3 | G614063 | | 4063 |
| 50 | 63 | 71 | 63 | 71 | 56 | 6 | 5 | G615071 | | 5071 |
| 63 | 80 | 90 | 80 | 80 | 63 | 8 | 6 | G616380 | | 6380 |
| 80 | 100 | 112 | 100 | 100 | 80 | 10 | 8 | G618010 | | 8010 |
| 100 | 125 | 140 | 125 | 125 | 106 | 12 | 10 | G611012 | | 1012 |
| 115 | 140 | 155 | 140 | 140 | 120 | 12 | 10 | G611114 | | 1114 |
| 125 | 160 | 180 | 160 | 160 | 132 | 12 | 12 | G611216 | 1216 | |

Order **CMG61** **4063**
 Days to Ship **Quotation**
 Price **Quotation**

Order **CMG51** **2508**
 Days to Ship **Quotation**
 Price **Quotation**