



CAM BOTTOM GUIDE PLATES

—75mm TYPE—

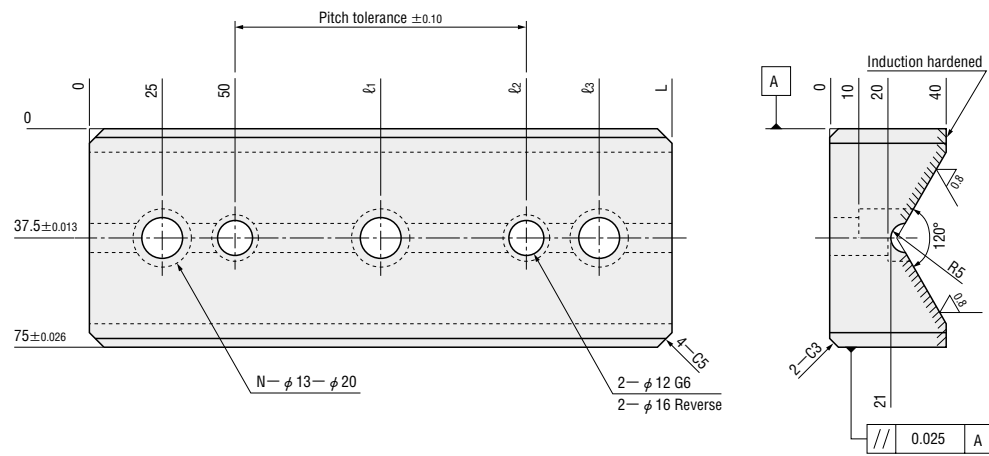
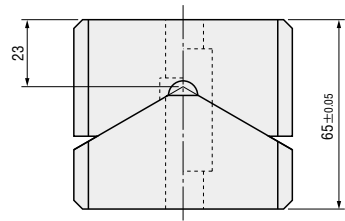


CAM BOTTOM SLIDE PLATES

—75mm TYPE—

Cam bottom guide plates

CMG21



☑ S45C
☑ 40HRC~ (Induction hardened)

L	No. of bolt holes	ℓ_1	ℓ_2	ℓ_3	NAAMS Code	Catalog No.	
						Type	Code
150	2	—	100	125	G217515	CMG21	7515
200		—	150	175	G217520		7520
250	3	125	200	225	G217525		7525
300		150	250	275	G217530		7530

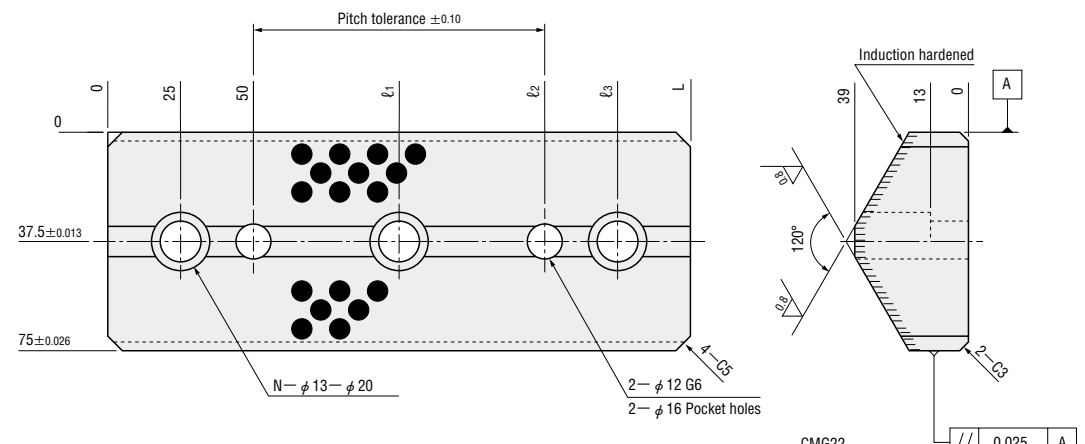
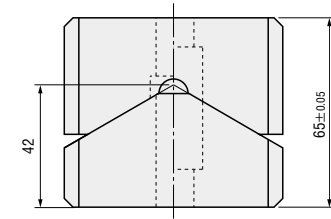
Order
CMG21 7515

Days to Ship

Price

Cam bottom slide plates

CMG22
CMG23



CMG22
☑ S45C
☑ Special solid lubricant (embedded)
☑ 40HRC~ (Induction hardened)

CMG23
☑ Copper Alloy
☑ Special solid lubricant (embedded)

L	No. of bolt holes	ℓ_1	ℓ_2	ℓ_3	NAAMS Code		Catalog No.	
					Steel	Copper Alloy	Type	Code
150	2	—	100	125	G227515	G237515	CMG22 CMG23	7515
200		—	150	175	G227520	G237520		7520
250	3	125	200	225	G227525	G237525		7525
300		150	250	275	G227530	G237530		7530

Order
CMG22 7515

Days to Ship

Price

NAAMS