

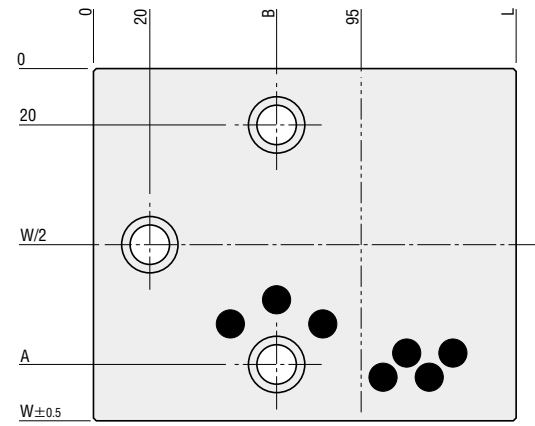


# CAM STROKE PLATES

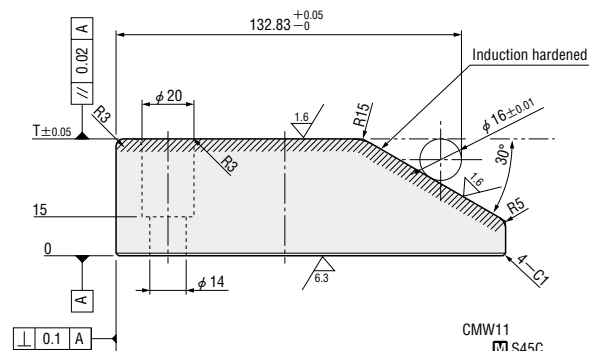
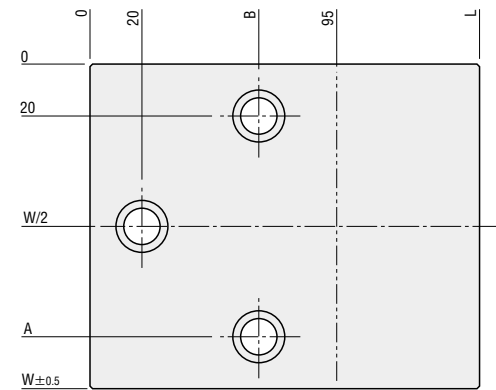


**CMW11** (Steel+Graphite)

**CMW31** (Copper Alloy)



**CMW21** (Steel)



- CMW11
  - ☐ S45C
  - ☐ Special solid lubricant (embedded)
  - ☐ 40HRC~ (Induction hardened)
- CMW21
  - ☐ S45C
  - ☐ 40HRC~ (Induction hardened)
- CMW31
  - ☐ Copper Alloy
  - ☐ Special solid lubricant (embedded)

A	B	T	W	L	NAAMS Code			Catalog No.	
					Steel+Graphite	Steel	Copper Alloy	Type	Code
80	70	30	100	125	W111210	W211210	W311210	CMW11 CMW21 CMW31	1210
105			W111212		W211212	W311212	1212		
140			W111216		W211216	W311216	1216		
80	65	45	100	150	W111510	W211510	W311510		1510
105			W111512		W211512	W311512	1512		
140			W111516		W211516	W311516	1516		
80	65	60	100	170	W111710	W211710	W311710	1710	
105			W111712		W211712	W311712	1712		
140			W111716		W211716	W311716	1716		



Order

Catalog No.

CMW11 1212



Days to Ship

Quotation



Price

Quotation